

INDEX

INDEX _____ PAGE A

HARNESS ARRANGEMENT _____ PAGE B

CABLE ARRANGEMENT _____ PAGE C

CIRCUIT BREAKER CODE _____ PAGE D1 & D2

CONNECTOR CODE _____ PAGE E1 TO E6

DIODE CODE _____ PAGE F

RELAYS CODE _____ PAGE G

RESISTOR CODE _____ PAGE H

SWITCH CODE _____ PAGE I

TELL-TALE LITE CODE _____ PAGE J

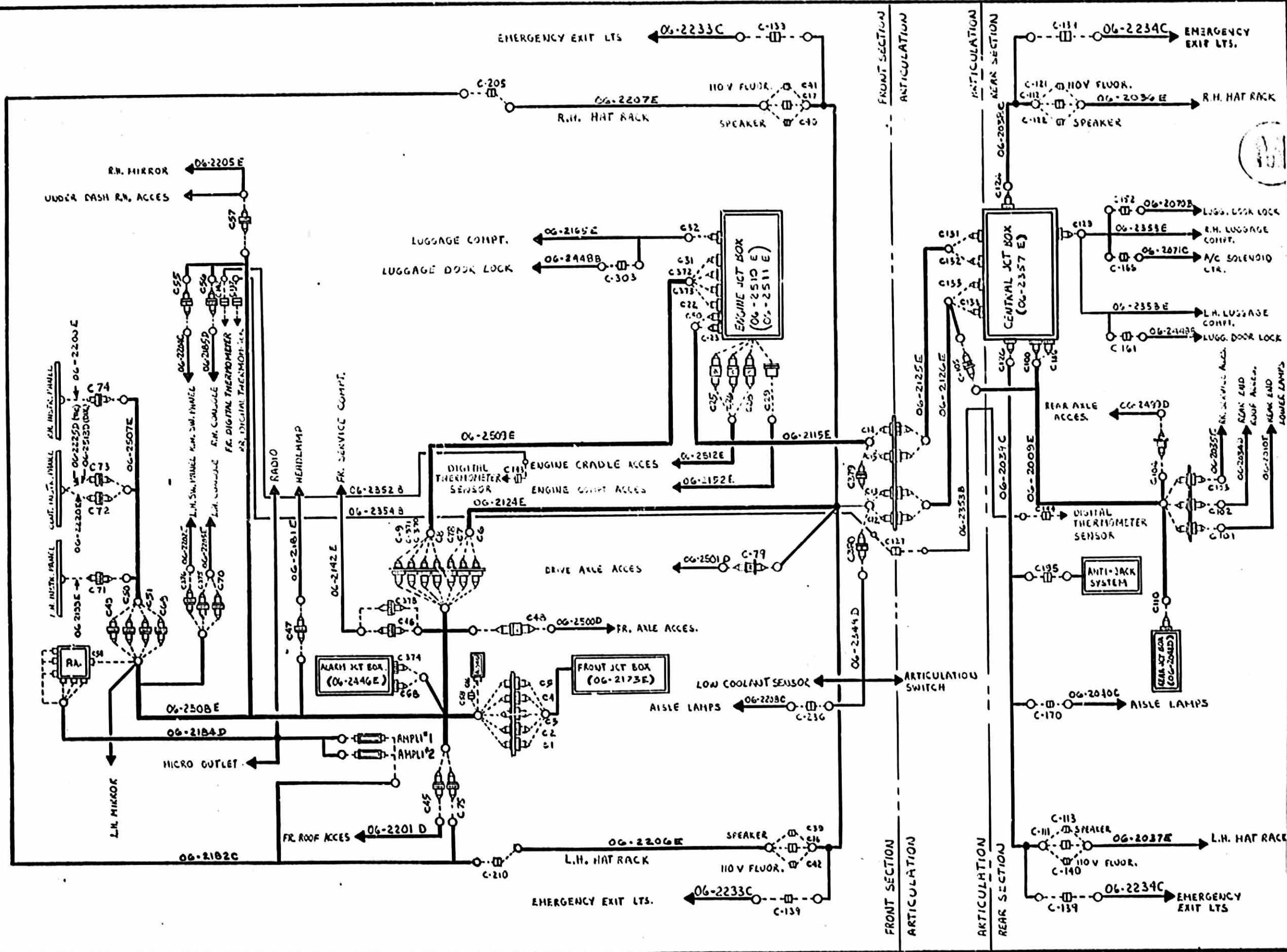
ACCESSORIES SYMBOL _____ PAGE K

WIRING DIAGRAM INDEX _____ PAGE L

SPARE WIRES _____ PAGE M

WIRING DIAGRAM _____ PAGE 1 TO 24

LEGEND		DESC :		DESS: <i>D.V.</i>	DATE- 88-02
FRONT JUNCTION PANEL	BATTERY JUNCTION BLOCK	INDEX		VER.-	APPR.-
REAR JUNCTION PANEL	SINGLE CONNECTOR			APPL: EFF. W/J009 Δ	
BATTERY COMPARTMENT	DIODE (RECTIFIER)	B 03-81	MISE A JOUR	B.C	
CIRCUIT BREAKER	OPTION	A 03-88	ETAIT 1/008	B.C	
HARNESS CONNECTOR		ITEM	DATE	REVISION	PAR

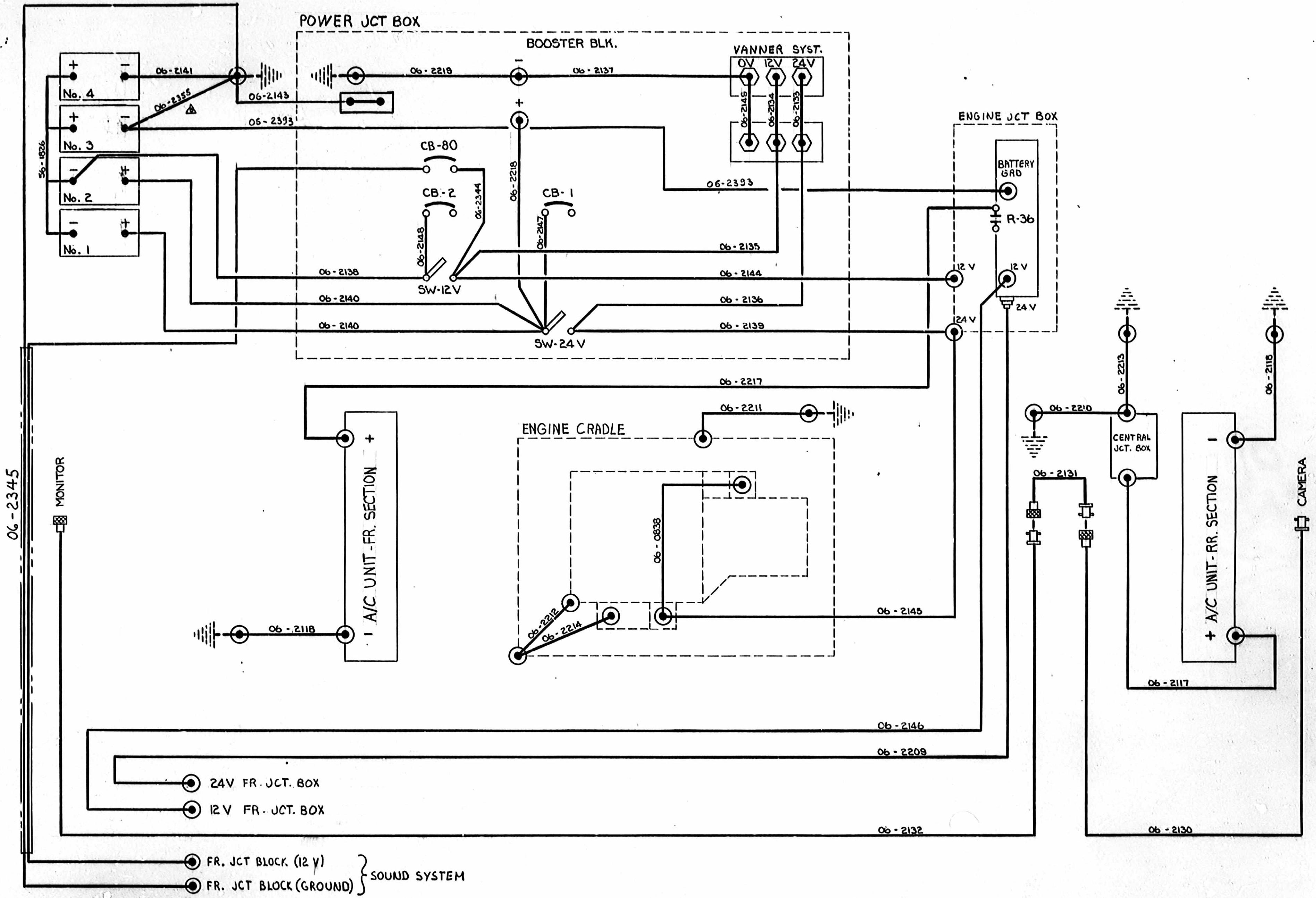


LEGEND	
	FRONT JUNCTION PANEL
	REAR JUNCTION PANEL
	BATTERY COMPARTMENT
	CIRCUIT BREAKER
	HARNESS CONNECTOR
	BATTERY JUNCTION BLOCK
	SINGLE CONNECTOR
	PLUG (PREFERRED)
	OPTION

ITEM	DATE	REVISION	PAR
C	91-02	MISE A JOUR	M
B	03-89	CD ⁿ 16260	M
A	03-88	ETAIT / 0008	B.C

DESC :	HARNESS ARRANGEMENT
APPL EFF. W/ 0003	△ PRIOR L033
REF:	H5-60

OESS:	D.V.	DATE:	88-02
VER.:	lc	APPR.:	
NO:	D-060660	p.	B C



LEGEND FRONT JUNCTION PANEL REAR JUNCTION PANEL BATTERY COMPARTMENT CIRCUIT BREAKER HARNESS CONNECTOR BATTERY JUNCTION BLOCK SINGLE CONNECTOR DIODE (RECTIFIER) OPTION		<small>THIS DOCUMENT IS THE PROPERTY OF THE U.S. GOVERNMENT AND IS LOANED TO YOUR ORGANIZATION; IT AND ITS CONTENTS ARE NOT TO BE DISTRIBUTED OUTSIDE YOUR ORGANIZATION.</small>		DESC : CABLE ARRANGEMENT	DESS: D.T. VER.- NO: D-060660 p.C
C 89-05 B 88-03 A 88-03	MISE A JOUR MISE A JOUR ETAIT 1/008	B.C. B.C. B.C.	APPL: EFF. W/0009	REF: H5-60	DATE-88-02 APPR.- C



CIRCUIT BREAKER CODE

CIRCUIT BREAKER					
CB#	AMP.	VOLT.	DIAG. PAGE	LOCATION	FUNCTION
1	30	24	1	POWER JCT. BOX	24 V HOT WIRE
2	30	12	1	"	12 V HOT WIRE
3	90	24	1	ENG. JCT. BOX	24 V FEED FRONT JCT. BOX
4	70	24	1	"	24 V FEED CENTRAL JCT. BOX
5	70	12	1	"	12 V FEED FRONT JCT. BOX
6	8	24	1	FR. JCT. BOX	FEED MASTER SWITCH
7	8	24	1	ENG. JCT. BOX	ENGINE - RR START SW. & SERV. LT.
8	8	24	1	"	RR ENGINE CTR SW
9	8	24	1	FR. JCT. BOX	WEBASTO SW.
10	15	24	1	ENG. JCT. BOX	WEBASTO
11	20	12	2	"	ECM (DDEC II)
12	20	12	2	"	ECM (DDEC II)
13	5	12	3	"	ECU (ATEC)
14	8	12	3	"	ATEC CTR
15	10	12	3	"	BACK -UP ATEC CTR
16	8	24	4	FR. JCT. BOX	ALARM BUZZER & INSTRUMENT
17	10	24	4	"	ELECT. HORN
18	5	24	4	"	FIRE ALARM
19	5	12	4	"	12V VOLTMETER
20	5	24	4	"	FOG LT SW
21	15	12	4	"	FOG LT
22	20	12	4	"	HEADLAMP (HI)
23	15	12	4	"	HEADLAMP (LO)
24	5	24	5	"	HEAD LAMP SW & MULTI-FUNC. SW
25	10	24	5	"	MULTI-FUNC. SW. (WIPER, WASHER)
26	20	12	6	"	FLASHER & HAZARD UNIT
27	15	24	7	ENG. JCT. BOX	FRONT BAGGAGE LT.
28	15	12	5	CENT. JCT. BOX	REAR ID TAIL & LICENCE LT
29	8	12	5	"	REAR CLEARANCE LT
30	8	12	5	"	REAR TAIL & MARKER LT
31	5	12	5	"	LICENCE PLATE LT
32	15	12	5	"	STOP LT
33	5	24	7	FR. JCT. BOX	STOP LT SW
34	5	24	7	"	PARK BRAKE SW.

CIRCUIT BREAKER					
CB#	AMP.	VOLT.	DIAG. PAGE	LOCATION	FUNCTION
35	8	12	7	FR. JCT. BOX	FR. CLEARANCE LT.
36	5	24	8	CENT. JCT. BOX	EXIT LAMP
37	8	12	7	FR. JCT. BOX	FR. SECTION MARKER LT.
38	15	24	7	ENG. JCT. BOX	RR BAG. COMP'T LT.
39	5	24	8	FR. JCT. BOX	FR SERV. COMP'T LT.
40	5	110	9	ALARM JCT. BOX	110V. FLUOR - RR
41	5	"	"	"	110V. FLUOR. - FR. RH
42	15	24	"	ENG. JCT. BOX	FRONT FLUORESCENT (24V)
43	8	24	"	FR. JCT. BOX	HAT RACK LTS SW
44	15	"	"	ENG. JCT. BOX	FRONT READING LTS - RH.
45	15	"	"	"	" " " - LH.
46	8	"	"	CENT. JCT. BOX	REAR " " - RH.
47	8	"	"	"	" " " - LH
48	10	"	9	ENG. JCT. BOX	FRONT GENERAL LTS.
49	10	"	10	FR. JCT. BOX	DASH LT REOSTAT & U/SEAT LT.
50	8	"	"	"	DASH LT REOSTAT
51	10	"	"	"	U/SEAT LT
52	5	"	"	"	PASS. & HOSTESS CHIME SW
53	8	"	"	"	A/C & HEAT SW.
54	8	"	"	ENG. JCT. BOX	A/C LOGIC PANEL
55	5	24	13	FR. JCT. BOX	DRIVER'S HTR FAN SW. IGN. CTR.
56	15	24	"	ENG. JCT. BOX	REAR WATER PUMP
57	15	"	"	"	FRONT WATER PUMP
58	8	"	"	"	A/C COMPR. CLUTCH & COND. FAN SOL.
59	90	"	"	"	FRONT EVAP. FAN MOTOR
60	40	"	"	F.E.F.M.	" " " " RH
61	40	"	"	"	" " " " LH
62	90	"	"	ENG. JCT. BOX	REAR EVAP. FAN MOTOR
63	40	"	"	R.E.F.M.	" " " " RH
64	40	"	"	"	" " " " LH
65	5	"	"	ENG. JCT. BOX	HUMIDISTAT CTR.
66	10	"	"	FR. JCT. BOX	DRIVER'S HTR FAN SW
67	8	24	14	"	REAR VIEW MIRROR
68	15	12	14	"	DRIV. WINDOW LIFTER & CIGAR LIG

PREVOSTA	LEGEND	<small>THIS DOCUMENT IS THE PROPERTY OF PREVOSTA. IT IS TO BE USED ONLY FOR THE PURPOSES AND IN THE MANNER SPECIFIED BY THE COMPANY AND IS NOT TO BE REPRODUCED OR TRANSMITTED IN ANY FORM OR BY ANY MEANS, ELECTRONIC OR MECHANICAL, INCLUDING PHOTOCOPYING, RECORDING, OR BY ANY INFORMATION STORAGE AND RETRIEVAL SYSTEM. THE COMPANY ASSUMES NO LIABILITY FOR ANY DAMAGE OR LOSS OF PROFITS OR BUSINESS OPERATIONS CAUSED BY THE USE OF THIS DOCUMENT.</small>	D 88-05 CB41 & CB65 ETAIT 8A MA C 88-05 CB27, CB38 & CB39 ETAIENT 10A MA B 88-03 MISE A JOUR "FUNCTION" B A 88-03 ETAIT /J008 B.C.	DESC : <h2 style="text-align: center;">CIRCUIT BREAKER CODE</h2> APPR: EFF. W/ J009 REF: H5-60	DISS: D.T. DATE- 88-02 VER.- APPR.- NO: D-060660 p. D1 C
FRONT JUNCTION PANEL REAR JUNCTION PANEL BATTERY COMPARTMENT CIRCUIT BREAKER HARNESS CONNECTOR	BATTERY JUNCTION BLOCK SINGLE CONNECTOR DIODE (RECTIFIER) OPTION	ITEM DATE REVISION PAR	APPL: EFF. W/ J009 REF: H5-60	NO: D-060660 p. D1 C	

M

CIRCUIT BREAKER CODE

CIRCUIT BREAKER					
CB#	AMP	VOLT.	DIAG. PAGE	LOCATION	FUNCTION
69	5	24H	16	FR. JCT. BOX	TACHOGRAPH CLOCK
70	3	24i	16	"	LOW FUEL SENSOR & TTLT
71	8	24	16	CENT. JCT. BOX	TOILET PUMP
72	8	"	"	"	TOILET LTS
73	"	"	"	"	TOILET FAN
74	10	24i	17	FR. JCT. BOX	UPPER WIND. DEFROST
75	10	24	15	"	L.H. CONSOLE SWITCH
76	10	"	17	"	UPPER WIND WIPER & WASHER
77	8	"	18	"	RR & FR DOOR CONTROL
78	3	12i	3	"	RETARDER SW.
79	8	24	18	CENT. JCT. BOX	RR CTR DOOR
80	30	12	21	POWER JCT. BOX	SOUND SYSTEM
81	16	24	19	FR. JCT. BOX	FR E.C.U. ANTI SKID
82	16	"	19	"	" " "
83	5	"	19	"	" " "
84	70	12	1	ENG. JCT. BOX	CENTRAL JCT BOX
85	8	24i	8	ENG. JCT. BOX	HATRACK COMPT. LT.
86	5	24	21	FR. JCT. BOX	FEED KNEELING SYSTEM
87	5	24i	21	ENG. JCT. BOX	ARTICULATION SW
88	8	24	22	FR. JCT. BOX	ARTICULATION BRAKE
89	8	24i	"	ENG. JCT. BOX	AIR DRYER
90	5	"	22	FR. JCT. BOX	BACK UP MONITOR CONVERTER
91	8	24i	18	FR. JCT. BOX	SPEED LIMITER SW.
92	"	24i	22	FR. JCT. BOX	DRIVER'S SEAT HEATER & DIG. THERM.
94	10	12	23	FR. JCT. BOX	LUGGAGE DOOR LOCK
95	15	12	24	"	RADIO
97	5	24	16	CENT. JCT. BOX	AISLE LTS.
98	10	12	7	"	BACK-UP LIGHT & BACK-UP ALARM
99	"	"	7	"	BACK-UP LT
100	8	24	9	"	GENERAL LT - REAR SECTION
101	5	"	"	"	24V FLUOR LT - REAR SECTION
102	5	12i	22	"	CAMERA HEATER
103	5	12	16	"	LAV. NIGHT LIGHT
105	5	110	9	ALARM JCT. BOX	110-V FLUORESCENT - FR. L.H.

CIRCUIT BREAKER					
CB#	AMP	VOLT.	DIAG. PAGE	LOCATION	FUNCTION
106	5	110	23	ALARM JCT. BOX	WATER HEATER TANK
107	20	110	23	"	ENGINE BLOCK HEATER
108	3	24	3	ENG. JCT. BOX	RETARDER ATEC CTR
109	10	12	6	FR. JCT. BOX	CORNERING LTS
110	15	12	24	"	AUDIO. AMPLI - FR. SECT.
111	15	12	24	"	" - RR SECT.
112	5	24	15	FR. JCT. BOX	FR. DESTINATION SIGN
113	2.0	24	23	CENT. JCT. BOX	LH LUGGAGE DOOR LOCK - RR
114	20	24	23	"	RH LUGGAGE DOOR LOCK - RR
115	25	24	23	ENG. JCT. BOX	FR. LUGGAGE DOOR LOCK
116	5	12	2	"	LOW COOLANT MODULE

11

58

8.5"

11"

11

58

D-060660
 P:DR

11"

LEGEND 		DESC: CIRCUIT BREAKER CODE		DESS: D.V. VER:	DATE: 88-02 APPR:
C 88-05 CB05 ETAT 5A B 88-03 MISE A JOUR "FUNCTION" A 88-03 ETAT 1008	MZ B.C. B.C.	APPL: EFF. W/1003 Δ REF: H5-60	NO: D-060660 P-D2 C		

17"



CONNECTOR CODE

CONNECTOR			
C#	LOCATION	DESIGNATION	NO. CAVITY
C1	FR. JCT. BOX COMPT.	FR. JCT. BOX TO INTERFACE HARNESS	24
C2	" " " "	" " " " " "	22
C3	" " " "	" " " " " "	37
C4	" " " "	" " " " " "	37
C5	" " " "	" " " " " "	37
C6	FR. SERVICE COMPT.-UNDERNEATH	FROM ARTICULATION TO INTERFACE HARNESS	37
C7	" " " " " "	" " " " " "	24
C8	" " " " " "	FROM ENGINE JCT BOX TO INTERFACE HARNESS	37
C9	" " " " " "	" " " " " "	16
C10			
C11			
C12	ARTICULATION	FROM FR. SERVICE COMPT TO ARTICULATION HARN.	24
C13	"	" " " " " "	37
C14	"	FROM ENG. JCT BOX TO ARTICULATION HARN.	6
C15	"	" " " " " "	24
C16	FR. SECT. LH HAT RACK - RR	FEED LH HAT RACK ACCESSORIES	9
C17	FR. SECT. RH HAT RACK - RR	FEED RH HAT RACK ACCESSORIES	9
C18			
C19			
C20			
C21			
C22	" " " "	" " " " " "	37
C23			
C24			
C25	ENGINE JCT. BOX - ENGINE COMPT.	ENG. JCT. BOX TO ENGINE CRADLE HARNESS	35
C26	" " " " " "	" " " " " "	47
C27			
C28	ENGINE JCT. BOX - ENGINE COMPT.	ENG. JCT. BOX TO ENGINE CRADLE HARNESS	26
C29	" " " " " "	ENG. JCT. BOX TO ENGINE COMPT. HARNESS	22
C30			
C31	ENGINE JCT. BOX	FROM FR. SERVICE COMPT. TO ENGINE JCT. BOX	16
C32	" " " "	ENG. JCT. BOX TO LUCSAGE COMPT. LTS.	22
C33			
C34			
C35			
C36			
C37			
C38			

-CONNECTOR				
C#	LOCATION	DESIGNATION	NO. CAVITY	
C39	FR. SECT. LH HAT RACK - RR	FEED LH SPEAKER	2	
C40	FR. SECT. RH HAT RACK - RR	FEED RH SPEAKER	2	
C41	FR. SECT. RH HAT RACK - RR	FEED RH 110V FLUORESCENT	2	
C42	FR. SECT. LH HAT RACK - RR	FEED LH 110V FLUORESCENT	2	
C43				
C44	FR. JCT BOX COMPT.	ANTI-SKID E.C.U. MODULE	35	
C45	ALARM JCT BOX COMPT.	FEED FR. ROOF ACCESSORIES	24	
C46	FR. SERVICE COMPT.	FEED FR. SERVICE COMPT. ACCESSORIES	24	
C47	FR. SERVICE COMPT.	FEED HEAD & FOG LAMP	7	
C48	FR. AXLE	FEED FR. AXLE ACCESSORIES	22	
C49	ALARM JCT BOX COMPT.	FEED INSTRUMENT PANEL	37	
C50	" " " "	" " " "	37	
C51	" " " "	" " " "	24	
C52				
C53				
C54	UNDER DASH - LH CORNER	FEED P.A. UNIT	3	
C55	UNDER DASH - CENTER	FEED RH SW. PANEL	9	
C56	" " " "	FEED RH CONSOLE	24	
C57	" " " "	FEED UNDER DASH ACCESSORIES - RH	22	
C58	FR JCT BOX COMPT.	OPTION SLIP DRIVE CONTROL	3	
C59	LH CONSOLE	CRUISE ON OFF SW.	8	
C60	" "	CRUISE SET SW.	8	
C61	" "	CRUISE RESUME SW.	8	
C62				
C63				
C64				
C65				
C66				
C67				
C68	ALARM JCT BOX	ALARM JCT. BOX TO INTERFACE HARNESS	16	
C69	" " "	FEED DASH INSTRUMENT PANEL	16	
C70	" " "	FEED LH CONSOLE	24	
C71	UNDER INSTRUMENT PANEL - LH	FEED INSTRUMENT PANEL - LH	37	
C72	UNDER INSTRUMENT PANEL	FEED CENTRAL INSTRUMENT PANEL	37	
C73	" " " "	" " " "	16	
C74				
C75	ALARM JCT BOX COMPT.	FEED FR. ROOF ACCESSORIES	22	
C76	FR. SERVICE COMPT.	FROM ENGINE JCT. BOX TO INTERFACE HARNESS	14	

	LEGEND BATTERY JUNCTION BLOCK SINGLE CONNECTOR DIODE (RECTIFIER) OPTION	DESC: CONNECTOR CODE DESS: <i>D.T.</i> DATE: <i>88-02</i> VER.- APPR.-
	A <i>88-03</i> ETAIT / <i>Joob</i> B.C. ITEM DATE REVISION PAR	APPL: EFF. W/0009 REF: H5-60 NO: D-060660 p. E1 C

CONNECTOR CODE

CONNECTOR			
C#	LOCATION	DESIGNATION	NO. CAVITY
C77	FR. SERVICE COMPT.	FEED FR. SERVICE COMPT. ACCESSORIES	16
C78			
C79	DRIVE AXLE	FEED DRIVE AXLE ACCESSORIES	22
C80	ENGINE JCT BOX COMPT.	FROM ARTICULATION TO ENGINE JCT. BOX	14
C81	" " " "	ELECTRONIC CONTROL MODULE ENGINE	30
C82	" " " "	" " " "	30
C83	" " " "	ELECTRONIC CONTROL UNIT (TRANSMISSION)	30
C84	" " " "	" " " "	30
C85	FR. JCT BOX COMPT.	SPEED LIMITE SW.	9
C86	FR. SERVICE COMPT.	SIDE FLASHER RH	2
C87	" " "	SIDE MARKER	2
C88	" " "	DRIVER'S LIQUID SOL. VALVE	2
C89	" " "	DRIVER'S WATER VALVE	2
C90	" " "	THROTTLE POSITION SENSOR	3
C91	" " "	INSTRUMENT PANEL RHEOSTAT	2
C92	" " "	AIR RETURN SENSOR	2
C93	" " "	SIDE FLASHER LH	2
C94	" " "	BRAKE INTERLOCK SOL. VALVE	2
C95	" " "	FRESH AIR DAMPER SOL. VALVE	2
C96	" " "	ELECTRICAL HORN	2
C97	" " "	BELLOWS CTR. VALVE	2
C98	" " "	EXHAUST CTR. SOL. VALVE	2
C99	" " "	STEERING COMPT. LTS	2
C100	CENTRAL JCT. BOX	CENTRAL JCT BOX TO RR SERVICE COMPT.	22
C101	RR SERVICE COMPT.	FEED RR LOWER LAMP	16
C102	" " "	FEED RR ROOF ACCESSORIES	22
C103	" " "	FEED RR SERVICE COMPT. ACCESSORIES	24
C104	RR AXLE ACCESSORIES	FEED RR AXLE ACCESSORIES	22
C105	ARTICULATION	FROM ARTICULATION TO RR SERVICE COMPT.	14
C106	RR END LH SIDE	RR LH LOWER LAMP	9
C107	RR END CENTER	CYCLOP LT.	2
C108	" " "	LICENCE PLATE LT.	2
C109	RR END RH SIDE	RR RH LOWER LAMP	9
C110	RR SERVICE COMPT.	RR JCT BOX	24
C111	RR SECT. LH HAT RACK -FR.	FEED LH HAT RACK ACCESSORIES	9
C112	RR SECT. RH HAT RACK -FR.	FEED RH HAT RACK ACCESSORIES	9
C113	RR SECT. LH HAT RACK -FR.	FEED LH SPEAKER	4
C114	RR & FR LH HAT RACK	FOR READING LTS	2

CONNECTOR			
C#	LOCATION	DESIGNATION	NO. CAVITY
C115	HAT RACK	FLUORESCENT	4
C116	" "	BALLAST DISTRIBUTION	6
C117	" "	BALLAST FEEDING	4
C118	" "	FEED GENERAL & HAT RACK LTS	3
C119	" "	FLUORESCENT	4
C120	" "	BALLAST DISTRIBUTION	6
C121	RR SECT. RH HAT RACK -FR.	FEED 110-V FLUOR.	2
C122	" " " " " "	FEED SPEAKER	4
C123	RR & FR. RH HAT RACK	READING LTS	2
C124	CENTRAL JCT. BOX	FROM CENTRAL JCT. BOX TO RR RH HAT RACK	24
C125			
C126	CENTRAL JCT. BOX	FROM CENTRAL JCT. BOX TO RR LH HAT RACK	24
C127	ARTICULATION	RR DIGITAL THERMOMETER FEEDING	3
C128			
C129	CENTRAL JCT. BOX	FROM CENTRAL JCT. BOX TO LUGGAGE COMPT.	24
C130			
C131	CENTRAL JCT. BOX	FROM CENTRAL JCT. BOX TO ARTICUL. HARN.	6
C132	" " " " " "	" " " " " "	24
C133	" " " " " "	" " " " " "	37
C134	" " " " " "	" " " " " "	16
C135			
C136	CENTRAL JCT. BOX	FROM CENTRAL JCT. BOX TO RR SERVICE COMPT.	16
C137	RH CONSOLE	RR DIGITAL THERMOMETER	2
C138	aisle RR STEP WELL	AIR RETURN SENSOR	2
C139	LH & RH ROOF ARTICULATION	FEED EMERGENCY EXIT LTS	2
C140	RR SECT. LH HAT RACK -FR.	FEED 110-V FLUOR.	2
C141	FR. SERVICE COMPT.	KNEELING LT	2
C142	RH CONSOLE	FR. DIGITAL THERMOMETER	2
C143	FR LUGGAGE COMPT.	" " " " SENSOR	2
C144	ARTICULATION -LH	RR DIGITAL THERMOMETER SENSOR	2
C145	RR SECT. LUGGAGE COMPT.-RH	LUGGAGE LTS	2
C146	" " " " " "	" " " " " "	2
C147	" " " " " "	FEED LUGGAGE DOOR LOCK	6
C148	" " " " " "	LUGGAGE LTS	2
C149	" " " " " "	FEED LUGGAGE DOOR LOCK	6
C150	" " " " " "	LUGGAGE LTS	2
C151	" " " " " "	AIR RETURN SENSOR	2
C152	" " " " " "	FEED LUGGAGE DOOR LOCK	6

	LEGEND BATTERY JUNCTION BLOCK SINGLE CONNECTOR DIODE (RECTIFIER) OPTION	<small>THIS DOCUMENT IS THE PROPERTY OF PREVOST CAR INC. IT IS TO BE USED ONLY FOR THE PURPOSES STATED HEREIN. IT IS TO BE RETURNED TO THE ISSUING OFFICE WHEN NO LONGER REQUIRED. IT IS TO BE DESTROYED BY THE ISSUING OFFICE WHEN NO LONGER REQUIRED.</small>				DESC: CONNECTOR CODE	DESS: <i>D.V.</i>	DATE: 88/02
		A 88-03	ETAIT /J008	Bc	APPL: EFF. W/J009 Δ	REF: H5-60	VER.-	APPR.-
		ITEM DATE REVISION						

CONNECTOR CODE

CONNECTOR			
C #	LOCATION	DESIGNATION	NO. CAVITY
C153	RR SECT. LUGGAGE COMPT. LH	LUGGAGE LTS	2
C154	" " " " "	AIR AMBIENT SENSOR	2
C155	" " " " "	LUGGAGE LTS	2
C156	" " " " "	FEED LUGGAGE DOOR LOCK	6
C157	" " " " "	LUGGAGE LTS	2
C158	" " " " "	FEED LUGGAGE DOOR LOCK	6
C159	" " " " "	LUGGAGE LTS	2
C160	" " " " "	AIR RETURN SENSOR	2
C161	" " " " "	LUGGAGE DOOR LOCK	6
C162	RR SECT. LUGGAGE COMPT.	ST1 WATER VALVE	2
C163	" " " " "	ST2 WATER VALVE	2
C164	" " " " "	ST3 WATER VALVE	2
C165	" " " " "	LIQUID SOLENOID VALVE	2
C166	" " " " "	FEED WATER VALVE	9
C167	RR END ROOF	CLEARANCE LTS	2
C168	" " " " "	WATCH YOUR STEP	2
C169	" " " " "	LAVATORY OCCUPIED SW.	2
C170	RR SECT. UNDER LH SEAT	FEED. LH UNDER SEAT ACCESSORIES	4
C171	" " " " "	ACCELEROMETER	2
C172	" " " " "	AIGLE LTS	2
C173	" " " " "	RUNNING LTS	2
C174	UNDER DASH - RH	DRIVERS MTR SPEED CTR MODULE	9
C175	" " " " "	" " " " "	9
C176	" " " " "	LOWER WIND. WIPER PULSE GENERATOR	6
C177	" " " " "	LOWER WINDSHIELD WIPER MOTOR	6
C178	" " " " "	DRIVER'S MTR & DEFROSTER LH FAU	2
C179	" " " " "	" " " " RH "	2
C180	RR END ROOF - CENTER	CAMERA	4
C181	" " " " - LH	LAVATORY FLUORESCENT	2
C182	" " " " - LH	WATER TANK HEATER	3
C183	RR SERVICE COMPT.	SIDE MARKER	2
C184	" " " " "	SIDE DIRECTIONAL LTS LH	2
C185	" " " " "	FRESH AIR DAMPER SOL. VALVE	2
C186	" " " " "	FRESH AIR SENSOR	2
C187	" " " " "	CAMERA DOOR SOLENOID	2
C188	" " " " "	CAMERA DOOR CTR. SW.	4
C189	" " " " "	LAVATORY PUMP	2
C190	" " " " "	BACK-UP ALARM	2

CONNECTOR			
C #	LOCATION	DESIGNATION	NO. CAVITY
C191	RR SERVICE COMPT	TOILET VENTILATOR	2
C192	" " " " "	SIDE DIRECTIONAL LTS-RH	2
C193	" " " " "	" " " " "	
C194	ARTICULATION	ARTICULATION PHONE	4
C195	ARTICULATION	ANTI-JACK SYSTEM	2
C196	ENGINE JCT BOX	RED LED INDICATOR - FR. SECT. (HTA)	2
C197	" " " " "	" " " " -RR. SECT. (HTA)	2
C198	" " " " "	GREEN LED INDICATOR - FR. SECT. (A/C)	2
C199	" " " " "	" " " " -RR. SECT. (A/C)	2
C200	FR. SECT. HAT RACK	FLUORESCENT	4
C201	" " " " "	" " " " "	4
C202	" " " " "	BALLAST FEEDING	4
C203	" " " " "	BALLAST DISTRIBUTION	6
C204	" " " " "	FEED GENERAL & HAT RACK LTS	3
C205	FR. SECT. RH HAT RACK - FR.	SPEAKER	1
C206	" " " " "	" " " " "	
C207	" " " " "	" " " " "	
C208	FR. SECT. - LH HAT RACK	BALLAST FEEDING	4
C209	" " " " "	READING LTS	2
C210	FR. SECT. LH HAT RACK - FR.	SPEAKER	4
C211	FRONT ROOF	DRIVER'S STORE - LH	2
C212	" " " " "	DRIVER'S STORE - RH	2
C213	" " " " "	CLEARANCE LTS	2
C214	" " " " "	AMPLIFIER RH SPEAKER CONNECTION	2
C215	" " " " "	" LH " " "	2
C216	UNDER DASH - LH CORNER	P.A. DISTRIBUTION	9
C217	" " " " "	P.A. MICRO OUTLET	3
C218	" " " " "	P.A. VOLUME	3
C219	" " " " "	P.A. DRIVER'S SPEAKERS CONNECTION	4
C220	" " " " "	P.A. AMPLIFIER CONNECTION	7
C221	" " " " "	P.A. RADIO CONNECTION	7
C222	ALARM JCT BOX COMPT.	MICRO OUTLET	4
C223	" " " " "	DRIVER'S SPEAKERS FEEDING	4
C224	RH SWITCH PANEL	RADIO	7
C225	" " " " "	" " " " "	
C226	FR. ROOF - LH	AMPLIFIER	7
C227	RH SWITCH PANEL	SPEAKER SELECTOR SW	8
C228	" " " " "	MICRO OUTLET	4

	LEGEND 1) BATTERY AMBIENT SENSOR 2) SINGLE CONNECTOR 3) DOUBLE CONNECTOR 4) JUNCTION	C 91-02 MISE 2 JOUR B 89-02 O.C. 89033, C.D. 916182 A 88-03 ETAT 1/008 DATE 4/1/82	DESC: CONNECTOR CODE APPL: EFR W/009 Δ PRIOR L033 REF: H5-60	DESS: D.V. I.E.H. / C DATE: 88/02 APPR: /	11: D-060660 RE3
--	---	---	--	--	------------------

CONNECTOR CODE

CONNECTOR			
C#	LOCATION	DESIGNATION	NO. CAVITY
C225	RH SWITCH PANEL	P.A. VOLUME CONTROL	4
C230	" " "	LH DRIVER'S SPEAKER	2
C231	" " "	RADIO FEEDING	4
C232	" " "	RH DRIVER'S SPEAKER	2
C233	FR. SECTION ARTICULATION	ARTICULATION VERTICAL SAFETY SW.	2
C234	" " "	ARTICULATION HORIZONTAL SAFETY SW.	6
C235	" " "	LOW COOLANT SENSOR	3
C236			
C237	FR. SECT. UNDER SEAT - LH	aisle LTS FEEDING	2
C238	" " " " "	aisle LTS	2
C239	FR. AXLE	FUEL TANK LEVEL GAUGE	4
C240	" " "	ANGELING SW.	2
C241	FR. SERVICE COMPT.	FOG RESISTOR BOX	3
C242	" " "	FR. L.H. MARKER & DIRECT. LT.	3
C243	" " "	HEADLAMPS	3
C244	" " "	L.H. FOG LAMP	2
C245	" " "	R.H. FOG LAMP	2
C246	" " "	FR. R.H. MARKER & DIRECT. LT.	3
C247			
C248	ALARM XT. BOX	UPPER WIND. WIPER PULSE GENERATOR	12
C249	" " "	CONVERTER 12V TO 5V (AV MONITOR)	3
C250	" " "	DASH LTS REGULATOR CTR	6
C251	LT SWITCH PANEL	FAST IDLE SW.	8
C252	" " "	SWITCH LTS.	2
C253	" " "	ETHER SW.	8
C254	" " "	WEBASTO SW.	8
C255	" " "	RETARDER SW.	8
C256			
C257			
C258	LT SWITCH PANEL	MULTI - FUNCTION SW.	8
C259	" " "	MULTI - FUNCTION SW.	6
C260	INSTR. PANEL - CENTER PLATE	TACHOGRAPH HEAD RPM	4
C261	" " " " "	TACHOGRAPH HEAD ANTI-JACK	4
C262	" " " " "	TACHOGRAPH HEAD FEEDING	4
C263	" " " " "	TACHOGRAPH HEAD SPEEDO	4
C264	" " " " "	ENGLER TACHO HEAD	6
C265	" " " " "	ENGLER SPEEDO HEAD	6
C266	ENGINE CRADLE	HANUAL TRANSMISSION ACCES.	4

CONNECTOR			
C#	LOCATION	DESIGNATION	NO. CAVITY
C267	ENGINE CRADLE	SPEED SENSOR	3
C268	" " "	RPM SENSOR	3
C269	ENGINE CRADLE	JACOB L.H. BANK BRAKE	1
C270			
C271	ENGINE CRADLE	JACOB R.H. BANK BRAKE	1
C272			
C273	ENGINE CRADLE	MOTOR BLOCK HEATER	3
C274			
C275	" " "	DDEC OPTION	4
C276	" " "	CONDENSER FAN SOL. VALVE	2
C277	ENGINE CRADLE	RACOR FUEL FILTER	2
C278	" " "	WEBASTO	6
C279	" " "	FR. WATER PUMP	2
C280	" " "	FR. ST3 WATER VALVE	2
C281	" " "	FR. ST2 WATER VALVE	2
C282	" " "	FR. ST1 WATER VALVE	2
C283	" " "	ATEC SPEED SENSOR	2
C284	" " "	ATEC THROTTLE SENSOR N/A	3
C285	" " "	ATEC TRANSMISSION	23
C286	RH SWITCH PANEL	A/C & HEAT SW.	1
C287	" " "	A/C FAN ONLY	1
C288	" " "	FRESH AIR SW.	1
C289	" " "	SWITCH LTS	2
C290	FR. A/C UNIT	A/C VARIATOR SPEED CONTROL	3
C291	FR. SECTION LUGGAGE COMPT.	LUGGAGE LTS	2
C292	" " " " "	" " "	2
C293	" " " " "	" " "	2
C294	" " " " "	" " "	2
C295	" " " " "	AIR AMBIENT SENSOR	2
C296	" " " " "	LUGGAGE LTS	2
C297	FR SECTION LUGGAGE COMPT.	AIR RETURN SENSOR	2
C298	" " " " "	" " "	2
C299	" " " " "	LUGGAGE LTS	2
C300	" " " " "	FRESH AIR SENSOR	2
C301			2
C302	FR. SECTION LUGGAGE COMPT.	LIQUID SOLENOID VALVE	2
C303	" " " " "	LUGGAGE DOOR LOCK FEEDING	6
C304	" " " " "	" " " " "	6

	LEGEND FRONT SECTION PANEL REAR SECTION PANEL BATTERY COMPARTMENT CIRCUIT BREAKER HARNESS CONNECTOR		BATTERY AMBIC BLOCK SINGLE CONNECTOR DOOR (RECTIFIER) OPTION	A 91-02 MISE A JOUR	DESC: CONNECTOR CODE	DESS: D.T. VER: CC	DATE: 88/02 APPR:
				A 88-03 ETAT /008			
				TEM DATE REVISION			



CONNECTOR CODE

CONNECTOR			
C#	LOCATION	DESIGNATION	NO. CAVITY
C 305	FR SECTION LUGGAGE COMPT.	LUGGAGE DOOR LOCK FEEDING	6
C 306	" " " "	" " " "	6
C 307	LH CONSOLE	DRIVER'S SEAT HEATER	4
C 308	" "	DASH LT. RHEOSTAT	
C 309	" "	GALLEY SW.	8
C 310	" "	LUGGAGE DOOR LOCK SW.	8
C 311	" "	HOTNESS & PASS. CHIME SW.	8
C 312	" "	READING LT. SW.	8
C 313	" "	GENERAL LT. & 24V FLOOR. SW.	8
C 314	" "	FR. DESTINATION SIGN SW.	8
C 315	" "	L.H. STORE SW.	8
C 316	ENGINE COMPT.	ETHER QUICKSTART VALVE	2
C 317	LH CONSOLE	R.H. STORE SW.	8
C 318	" "	DRIVER'S WINDOW LIFTER	
C 319	" "	DRIVER'S SEAT HEATER SW.	8
C 320	" "	DRIVER'S LT. SW.	8
C 321	" "	SHIFTER SELECTOR	16
C 322	" "	DRIVER'S WINDOW LIFTER MOTOR	2
C 323	" "	CRUISE CONTROL SW. PANEL	14
C 324	" "	ARTICULATION BRAKE SW.	8
C 325	" "	KNEELING SW.	8
C 326	" "	RR. & FR. ENTRANCE DOOR SW.	8
C 327	ENGINE COMPT.	ENGINE CONTROL SWITCHES	9
C 328	" "	WATER PUMP	2
C 329	" "	SERVICE LTS.	1
C 330	ENGINE COMPT. - AT A/C COMPR.	UNDER LOADER SOL. VALVE	2
C 331	" " " " " "	" " " " " "	2
C 332	" " " " " "	A/C COMPR. CLUTCH	2
C 333	" " " " " "	A/C LO-PRESSURE SW.	2
C 334	" " " " " "	A/C HI-PRESSURE SW.	2
C 335	ENGINE COMPT.	RETARDER SOL. VALVE	2
C 336	INSTRUMENT PANEL - LH SECT.	INSTRUMENT & SW. LTS	
C 337	" " " "	UPPER WIND. WIPER MOTOR CONTROL SW.	8
C 338	" " " "	UPPER WINDSHIELD DEFROST SW.	8
C 339	" " " "	UPPER WINDSHIELD WASHER CTR. SW.	8
C 340	" " " "	L.H. MIRROR ADJUSTING SW.	8
C 341	" " " "	HEATED MIRROR SW.	8
C 342	" " " "	R.H. MIRROR ADJUSTING SW.	8

CONNECTOR			
C#	LOCATION	DESIGNATION	NO. CAVITY
C 343	INSTRUMENT PANEL - LH. SECT.	HEADLAMP SW.	8
C 344	" " " "	HAZARD WARNING LTS SW.	8
C 345	" " " "	FOG LT. SW.	8
C 346	" " " "	SWITCH LTS.	2
C 347	" " " "	DASH LT. SW.	2
C 348	INSTRUMENT PANEL - CENTER	RACOR FILTER T.T. LT. MODULE	6
C 349	R.H. CONSOLE	RED LED INDICATOR - FR. SECT. (HTA)	2
C 350	" "	DIGITAL THERMOMETER	3
C 351	" "	RED LED INDICATOR - RR. SECT. (HTA)	2
C 352	" "	DRIVER'S TEMP. CONTROL SENSOR	3
C 353	INSTRUMENT PANEL - RH	DRIVER'S HTA. FAN SPEED CTR. RHEOSTAT	6
C 354	" " " "	DRIVER'S TEMP. CONTROL	6
C 355	" " " "	FRONT TEMP. CONTROL	3
C 356	" " " "	REAR TEMP. CONTROL	3
C 357	" " " "	WATER TEMP. GAUGE	3
C 358	" " " "	FUEL LEVEL GAUGE	3
C 359	" " " "	INSTRUMENT PANEL LIGHTING	2
C 360	" " " "	B/U MONITOR	2
C 361	FR. ROOF	UPPER WIPER MOTOR	6
C 362	" "	LAVATORY OCCUPIED SIGN	2
C 363	" "	WATCH YOUR STEP SIGN	2
C 364	" "	FR. DESTINATION SIGN	3
C 365	" "	UPPER WINDSHIELD DEFROST	3
C 366	R.H. CONSOLE	GREEN LED INDICATOR - FR. SECT. (A/C)	2
C 367	" "	GREEN LED INDICATOR - RR. SECT. (A/C)	2
C 368	ENG. JCT. BOX	HI & LO PRESS A/C	6
C 369	ALARM JCT. BOX 2PT.	FEED L.H. SW. PANEL	6
C 370	FR. SERVICE COMPT. - UNDERNEATH	FROM ARTICULATION TO INTERFACE HARNESS	37
C 371	FR. SERVICE COMPT.	FROM ENGINE JCT. BOX TO INTERFACE HARNESS	16
C 372	ENGINE JCT. BOX	FROM FR. SERVICE COMPT. TO ENGINE JCT BOX	37
C 373	" " " "	" " " " " "	16
C 374	ALARM JCT. BOX	ALARM JCT. BOX TO INTERFACE HARNESS	37
C 375	ALARM JCT. BOX COMPT.	FEED LH CONSOLE	37
C 376	" " " "	FEED LH SW. PANEL	37
C 377	LT. SWITCH PANEL	STOP ENGINE OVERRIDE SW.	8
C 378	FR. SERVICE COMPT.	FEED FR. SERVICE COMPT. ACCES.	16
C 379	ARTICULATION	FR. COMPT. TO ENGINE COMPT.	24
C 380	"	FEED ARTICULATION ACCES.	22

SYMBOLS

- FRONT ACTION PANEL
- REAR ACTION PANEL
- BATTERY COMPARTMENT
- CASE AT OPERATOR
- HARNESS CONNECTOR

LEGEND

- BATTERY ACTION BOX
- SINGLE CONNECTOR
- DOUBLE (RECTANG)
- JPTION

REVISIONS

REV	DATE	REVISION	PAR
B	91-02	MISE A JOUR	M2
A	88-03	ETAIT / J008	B.C.

DESC: CONNECTOR CODE

APPL: EFF. W/J008 Δ PRIOR L033 REF: H5-60

CLASS: D.T. **DATE:** 88-02

VER.: /C **APPR.:**

NO.: D-060660 **p.:** E5 **C**

DIODE CODE

DIODE					
D#	AMP.	VOLT.	DIAG. PAGE	LOCALISATION	FONCTION
1		24	4	FR. XT. BOX	LO-AIR SEC.
2		24	4	"	LO-AIR PRIM.
3		"	5	"	HEAD LAMP CTR
4		24	1	ENG. JCT. BOX	NEUTRAL GROUND
5		"	9	ENG. XT. BOX	RR ELECTRONIC TRANSMITTER
6		"	12	"	A/C CTR MODUL - REAR
7		"	10	"	FR ELECTRONIC TRANSMITTER
8		"	12	"	A/C CTR MODUL - REAR
9		"	12	"	" " " " "
10		"	11	"	A/C CTR
11		"	11	FR. JCT. BOX	" "
12		"	11	"	" "
13		"	16	CENT. XT. BOX	TOILET
14		"	18	FR. JCT. BOX	REAR & FRONT CTR DOOR
15		"	18	"	" " " "
16		"	18	"	" " " "
17		"	21	"	KNEELING CTR
18		"	21	"	" "
19		"	21	"	" "
20		12	21	ENG. JCT. BOX	ARTICULATION SW # 3
21		24	13	"	FAN A/C ONLY
22		24	5	FR. JCT. BOX	HAZARD - FLASHER RH.
23		24	5	"	" " LH.
24		24	5	"	(BRAKE TT LT) SW.
25		24	5	"	(FASTIDLE SW) STOP SW.
26		24	13	ENG. JCT. BOX	FAN A/C ONLY
29		24	22	CENT. XT. BOX	ARTICULATION BRAKE SYSTEM
31		24	22	CENT. JCT. BOX	ARTICULATION BRAKE SYSTEM
32	20	24	23	ENG. JCT. BOX	LUGGAGE DOOR LOCK FR.
33	20	24	23	"	" " " "
34	20	24	23	CENT. JCT. BOX	LUGGAGE DOOR LOCK RE
35	20	24	23	"	" " " "
36	20	24	23	"	" " " "
37	20	24	23	"	" " " "
38	3	24	5	FR. JCT. BOX	BACK-UP CORNERING " SPECIAL VOYAGEUR "

DIODE					
D#	AMP.	VOLT.	DIAG. PAGE	LOCALISATION	FONCTION
39	3	12	5	FR. JCT. BOX	BACK-UP CORNERING " SPECIAL VOYAGEUR "
40	3	12	5	"	" " " "
41	3	24	5	"	" " " "
42					
43					
44					
45					
46					
47					
48					
49					
50					
51					
52	3	24	11A	RH SW PANEL	FRESH AIR CONTROL

LEGEND

FRONT JUNCTION PANEL
REAR JUNCTION PANEL
BATTERY COMPARTMENT
CIRCUIT BREAKER
WIRING CONNECTION

BATTERY JUNCTION BLOCK
BUNDLE CONNECTION
DIODE (RECTIFIER)
OPTION

APPRECIATION DE LA SOCIÉTÉ CANADIENNE DE LA SÉCURITÉ
LE DÉPART DE LA SÉCURITÉ DE LA GENDARMERIE ROYALE
LE DÉPART DE LA SÉCURITÉ DE LA GENDARMERIE ROYALE
LE DÉPART DE LA SÉCURITÉ DE LA GENDARMERIE ROYALE

F	91-02	MISE A JOUR	MZ
E	89-09	D38 D 041 A0015 02 09102	MZ
D	89-02	Q.C. 89033, C.D. 16183	Rb
C	89-01	D32 D 037 A0016 02 09102	MZ
B	88-03	D-4 A0016	MZ
A	88-03	ETAIT /J008	BC
ITEM	DATE	REVISION	PAR

DESC : DIODE CODE

APPL: EFF. W/J009 PRIOR L033 REF: H5-60

DESS: D.T. DATE: 88-02
VER: C APPR: MZ
NO: D-060660 MF C

RELAYS CODE

R#	DIAG. PAGE	VOLT COIL	AMP	CATEGORY	LOCALISATION	FUNCTION
74	5	24	20	CUBIC NO.	FR. JCT. BOX	BACK-UP CORNERING "SPECIAL VOYAGEUR"
75	5	24	20	"	"	" " " "
76	18A	12	30	CUBIC NO.	RR SERVICE S.H. COMPT.	RR STEP LTS " "
77	18A	12	30	"	UNDER DASH R.H.	FR STEP LTS " "

RELAYS CODE

R#	DIAG. PAGE	VOLT COIL	AMP	CATEGORY	LOCALISATION	FUNCTION

LEGEND

- FRONT ANCHOR PANEL
- REAR ANCHOR PANEL
- BATTERY LUBRICATION
- ▲ CASE AT CREWER
- ◇ AIRWAYS CONDUCTOR
- BATTERY ANCHOR PANEL
- SINGLE CONNECTOR
- DOUBLE INDICATORS
- UNK

REV. DATE: A 89/09

LANCE OC# 89162

REVISION

TITLE: RELAYS CODE

CLASS: M/L

DATE: 89/09

VER.: /C

APP.:

EFF.: EFF. W/J009 PRIOR L033

REF.: H5-60

ID: D-060660 P.G2 C



RELAYS CODE

RELAYS							
R#	DIAG. PAGE		AMP	CATEGORY	VOLT. COIL	LOCATION	FUNCTION
	COIL	CONT'					
1	1	4	200	MAGNETIC N.O.	24	FR. JCT. BOX	ENGINE RUN (24 V)
2	1	1	20	CUBIC N.O.	"	ENG. JCT. BOX	" " (24 V)
3	1	16	10	" N.C.	"	CENT. JCT. BOX	" " (24 V)
4	1	1	200	MAGNETIC N.O.	"	ENG. JCT. BOX	STARTING MOTOR
5	1	11	20	CUBIC N.C.	12	FR. JCT. BOX	BLOWER CUT IN
6	2	2	20	" N.O.	24	ENG. JCT. BOX	BRAKE SW CRUISE CTR.
7	2	2	10	" N.C.	"	"	FAST IDLE DDEC CTR
8	3	3	10	" "	"	"	CUT IN 12V ATEC
9	3	3	20	" N.O.	"	"	CHECK TRANSM ATEC
10	3	3	20	" "	"	"	BACK UP ATEC SIGNAL
11	3	3	30	" "	"	"	RETARDER ATEC
12	4	4	20	" "	24	FR. JCT. BOX	ELECTRICAL HORN
13	4	4	20	" "	"	"	FRONT FOG LT
14	5	4	20	" "	"	"	HEADLAMPS CONTROL
15	5	4	20	" "	"	"	HEADLAMPS (HI)
16	5	4	20	" "	"	"	" (Lo)
17	5	7	20	" "	"	"	FRONT CLEARANCE LT
18	5	10	20	" "	"	"	U/SEAT LT & DASH RHEOSTAT
19	5	6	20	" "	"	"	RH. DIRECTIONAL LT
20	5	6	20	" "	24	"	LH. " "
21	5	5	10	" N.C.	"	"	BLINKER
22	5	5	20	" N.O.	"	CENT. JCT. BOX	RR CLEAR MARKER & LIC. LT
23	7	5	20	" "	"	"	STOP LT
24	9	9	20	" "	"	ENG. JCT. BOX	FRONT FLUORESCENT (24V)
25	9	9	20	" "	"	"	FRONT READING LTS
26	9	9	20	" "	"	CENT. JCT. BOX	REAR " "
27	9	9	20	" "	"	ENG. JCT. BOX	GENERAL LTS
28	9	9	20	" "	24	"	A/C LOGIC PANEL
29	11	13	20	" "	"	"	REAR WATER PUMP
30	15	11	20	" "	"	"	REAR ELECTRONIC TRANSMIT.
31	12	13	10	" N.C.	"	"	FRONT WATER PUMP
32	13	12	20	" N.O.	"	"	FRONT ELECTRONIC TRANSMIT.
33							
34	12	13	20	CUBIC N.O.	"	ENG. JCT. BOX	A/C COMPRESSOR CLUTCH
35	12	13	20	" "	"	"	COND. FAN SOL. VALVE
1A	1	22	20	" "	24	FR. JCT. BOX	12V IGNITION - FR.
2A	1	1	20	" "	"	ENG. JCT. BOX	12V IGNITION - ENG.
3A	1	22	20	" "	"	CENT. JCT. BOX	12V IGNITION - CENT

RELAYS							
R#	DIAG. PAGE		AMP	CATEGORY	VOLT. COIL	LOCATION	FUNCTION
	COIL	CONT'					
36	13	13	200	MAGNETIC N.O.	24	ENG. JCT. BOX	EVAP. FAN MOTOR - FR.
37	13	13	200	" "	"	"	" " " -RR
38	13	13	20	CUBIC N.O.	"	FR. JCT. BOX	DEFROSTER CTR
39	8	8	20	" "	"	"	DOOR AJAR
40	18	18	20	" "	"	"	RR & FR DOOR SPEED SW CTR.
41	19	19	20	" "	"	"	ANTI SKID CTR
42	19	19	20	" "	"	"	" " "
43	19	19	20	" "	"	"	" " "
44	19	7	20	" N.O.	"	"	" " "
45	21	21	20	" N.O.	"	"	KNEELING CTR
46	21	21	10	" N.C.	"	"	" " "
47	21	21	30	" N.O.	12	ENG. JCT. BOX	ARTICULATION SW
48	6	6	20	" "	24	FR. JCT. BOX	DOOR AJAR IGNITION
49	23	23	30	" "	12	"	RADIO & AMPLI.
50	23	23	30	" "	12	"	" " "
51	2	2	30	" "	24	ENG. JCT. BOX	"KILL SW" CRUISE CTR
52							
53	7	7	30	CUBIC N.O.	12	CENT. JCT. BOX	BACK-UP LT
54	9	9	20	" "	24	"	GENERAL LT (REAR SECTION)
55	9	9	20	" "	24	"	24 V FLUOR (REAR SECTION)
56	5	5	20	" "	24	CENT. JCT. BOX	SIDE MARKER, TAIL / LICENCE LT.
57	1	1	20	" "	"	ENG. JCT. BOX	VOLTAGE REGULATOR - IGN.
58	16	16	20	" "	"	CENT. JCT. BOX	TOILET FLUORESCENT
59	5	6	20	" "	"	FR. JCT. BOX	CORNERING LT RH.
60	5	6	20	" "	"	"	" " LH.
61	5	5	20	" "	"	"	" " CUT-OUT
62	5	7	20	" "	"	"	MARKER LT-FR SECTION
63	5	8	20	" "	"	CENT. JCT. BOX	EXIT LT
64	22	22	30	" "	12	RR SKI PLT	CAMERA DOOR SYST. - SERVICE
65	23	23	50	SER. CUBIC N.O.	"	ENG. JCT. BOX	LUGGAGE DOOR LOCK - FR
66	23	23	50	" "	"	"	" " " "
67	23	23	20	CUBIC N.O.	24	CENT. JCT. BOX	LH LUGGAGE DOOR LOCK - RR
68	23	23	20	" "	"	"	" " " "
69	23	23	20	" "	"	"	RH LUGGAGE DOOR LOCK - RR
70	23	23	20	" "	"	"	" " " "
71	22	22	30	" "	12	FR. JCT. BOX	BACK-UP MONITOR
72	1	24	10	CUBIC N.C.	24	"	RADIO AMPLIFIER CUT-IN
73	1	24	10	" "	24	"	" " " "

LEGEND

FRONT JUNCTION PANEL
REAR JUNCTION PANEL
BATTERY COMPARTMENT
CIRCUIT BREAKER
HARNES CONNECTOR

BATTERY JUNCTION BLOCK
SINGLE CONNECTOR
DIODE (RECTIFIER)
OPTION

PROPERTY OF THE AIR FORCE...
THIS DOCUMENT IS THE PROPERTY OF THE AIR FORCE...
IT IS TO BE KEPT IN THE ORIGINAL ENVELOPE AND NOT TO BE REPRODUCED OR TRANSMITTED IN ANY FORM OR BY ANY MEANS, ELECTRONIC OR MECHANICAL, INCLUDING PHOTOCOPYING, RECORDING, OR BY ANY INFORMATION STORAGE AND RETRIEVAL SYSTEM.

E	88-03	VOIR C.D. 15090	B.C.
D	88-05	MISE A JOUR	M/
C	88-05	MISE A JOUR	B.C.
B	88-03	MISE A JOUR 'FUNCTION'	B.C.
A	88-03	ETAIT /J008	B.C.
ITEM	DATE	REVISION	PAR

TITRE: RELAYS CODE

APPL: EFF. W/J009

REF: H5-60

DESS: D.T. DATE: 88-02

VER. - APPR. -

NO: D-060660 p. G C



RESISTOR CODE

RESISTOR							
RS #	VOLTAGE		WATT	CATEGORY	DIAG. PAGE	LOCATION	FUNCTION
	BEFORE	AFTER					
1	12		1/4	10K	2	B.J.M	E.C.M. DDEC
2	12		1/4	4.3K	2	"	" "
3							
4	24		1/2	470 K	12	"	A/C TIME DELAY RELAY
5	12		10	F-101	6	B.J.A.	CORNERING LTS
6	12		10	F-101	7	B.J.A.R	DOCKING LT - RH
7	12		10	F-101	7	B.J.A.R.	DOCKING LT - LH
8	12		10	F-101	4	FR. SERV. CPT.	FR. FOG-LH
9	12		10	F-101	4	FR. SERV. CPT.	FR. FOG-RH

RESISTOR							
RS #	VOLTAGE		WATT	CATEGORY	DIAG. PAGE	LOCATION	FUNCTION
	BEFORE	AFTER					

LEGEND ○ BATTERY JUNCTION BLOCK □ SINGLE CONNECTOR ○ DIODE (RECTIFIER) - OPTION		REVISIONS B 88-03 MISE A JOUR "FUNCTION" B.C. A 88-03 ETAIT 1/008 B.C. ITEM DATE REVISION PAR			TITRE : RESISTOR CODE		DESS: D.V. VER.- NO: D-060660 p H	DATE: 88-02 APPR.- C
FRONT JUNCTION PANEL REAR JUNCTION PANEL BATTERY COMPARTMENT CIRCUIT BREAKER HARNESS CONNECTOR		THIS DOCUMENT IS THE PROPERTY OF NASSAU COUNTY, NEW YORK. IT IS TO BE USED ONLY FOR THE PURPOSES SPECIFIED IN THE REQUEST FOR INFORMATION. IT IS NOT TO BE DISCLOSED TO ANY OTHER PARTY WITHOUT THE EXPRESS WRITTEN PERMISSION OF NASSAU COUNTY.		APPL: EFF. W/ J009 △		REF: HS-60		



SWITCH CODE

SWITCH							
SW#	AMP.	VOLT.	DIAG. PAGE	LOCATION	DESCRIPTION	TYPE	SYMBOL
1		24	1	B.J.P	CUT OUT SW 24V		
2		12	1	"	" " " 12V		
3		24	1	DASH	FAST IDLE SW	SWF	
4		"	1	"	WEBASTO SW	"	
5		12	2	"	STOP ENGINE OVERRIDE	"	
6		12	2	"	CRUISE CTR ON/OFF	"	
7		"	"	"	CRUISE "RESUME" SW	"	
8		"	3	STEER CPT	ATEC TEST SW		
9		24	4	DASH	FOG LT	SWF	
10		"	"	STEER WHEEL	HORN BUTTON		
11		24	5	DASH	HEAD LAMP		
12		"	"	STEER WHEEL	MULTI-FUNCTION LEVEL		
13		24	"	DASH	HAZARD SW	SWF	
14		24	7	STEER CPT	STOP 'LT SW		
15		"	"	B.J.MOT	ENG. CPT LT SW		
16		"	"	CPT MOT	" " " "		
17		"	8	CPT STEER	STEERING CPT LT SW		
18		"	7	LUG CPT	BAGGAGE COMPT SW		
19		"	9	DASH CONS.WA	GENERAL LTS SW AND 24V FLUOR. SW	SWF	
20		"	9	" " "	READING LT SW (DRIVER'S)	SWF	
21							
22		24	9	DASH CONS.WA	DRIVER'S LT SW	SWF	
23		"	9	HAT RACK	READ LT SW (PASS)	IKI	
24		"	10	DASH	RHEOSTAT		
25		"	"	DASH CONS.WA	PASS. & HOSTESS CHIME (DRIVER'S)	SWF	
26		"	"	HAT RACK	PASS CHIME SW		
27		"	"	" "	HOSTESS CHIME SW		
28		"	11	DASH	FRESH AIR SW	SWF	
29		"	"	"	A/C 1/2 HEAT SW	SWF	
30		"	"	"	RHEOSTAT RR,CTR,T°		
31		"	12	"	RHEOSTAT FR,CTR,T°		
32							
33		"	13	"	RHEOSTAT - DRIV. HTR FAN		
34		"	13	"	" - DRIV. TEMP CTR		
35		"	14	"	REAR VIEW MIRROR ADJUSTING SW-LH		
36		"	14	"	REAR VIEW MIRROR ADJUSTING SW-RH		
37		"	14	"	HEATED MIRROR SW	SWF	

SWITCH							
SW#	AMP.	VOLT.	DIAG. PAGE	LOCATION	DESCRIPTION	TYPE	SYMBOL
38		24	14	DASH	DRIVER'S LIFTER WINDOW	SWF	
39		"	16	TOILET	TOILET DOOR LOCK SW		
40		"	"	"	FLUSHING SW		
41		"	"	"	TOILET EMERGENCY SW		
42		"	"	"	DIFFERENTIAL LOCK SW		
43		"	3	CPT MOT	RETARDER SW		
44		"	17	DASH	UPPER DEFROSTER	SWF	
45		"	"	"	UPPER WINDSHIELD WIPER MOTOR CTR SW		
46		"	"	"	UPPER WINDSHIELD WASHER CTR SW	SWF	
47		"	18	"	RR 1/2 FR DOOR CTR SW	SWF	
48							
49		24	18	FR DOOR	FR DOOR CTR - DOOR PIVOT		
50		"	"	RR DOOR	RR DOOR CTR - DOOR PIVOT		
51		24	21	DASH	ETHER SW	SWF	
52		24	"	"	KNEELING	SWF	
53		"	"	ARTICULATION	ARTICULATION - TELL-TALE		
54		"	"	"	" - ALARM		
55		"	"	"	" - PARK		
56		"	"	"	" - VERT ALARM		
57		"	22	DASH	ARTICULATION BRAKE	SWF	
58		"	"	"	SEAT HEATER	SWF	
59		"	23	"	LUGGAGE DOOR LOCK SW	"	
60		"	"	LUG. CPT	LUGGAGE LOCK SW	HARNER	
61		"	23	DASH	SPEAKER CTR SW	CUTLER HAMMER	
62		"	"	"	RHEOSTAT P.A. VOLUME		
63			7	CPT STEERING	PARKING TILT SW		
64		12	2	DASH	CRUISE "SET" SW	SWF	
65		12	2	"	CRUISE "KILL" SW		
66		24	22	RR STEP CPT	CAMERA DOOR SYST.	JOG	
67							
68							

LEGEND

	FRONT JUNCTION PANEL		BATTERY JUNCTION BLOCK
	REAR JUNCTION PANEL		SINGLE CONNECTOR
	BATTERY COMPARTMENT CIRCUIT BREAKER		DIODE (RECTIFIER)
	HARNER CONNECTOR		OPTION

ALL RIGHTS RESERVED BY THE MANUFACTURER. NO PART OF THIS DOCUMENT IS TO BE REPRODUCED OR TRANSMITTED IN ANY FORM OR BY ANY MEANS, ELECTRONIC OR MECHANICAL, INCLUDING PHOTOCOPYING, RECORDING, OR BY ANY INFORMATION STORAGE AND RETRIEVAL SYSTEM.

B	88-03	MISE A JOUR DESCRIPTION	B.C
A	88-03	ETAIT / J008	B.C
ITEM	DATE	REVISION	PAR

DESC: SWITCH CODE

APPL: EFF. W/J009

DESS: D.T. DATE: 88-02

VER: - APPR: -

NO: D-060660 p. I C

TELL-TALE LITE CODE

TELL-TALE LITE							
TTL #	WATT	VOLT	DIAG. PAGE	LOCATION	DESCRIPTION	TYPE	SYMBOL
1		24	1	DASH	PARKING BRAKE		
2		"	"	"	WEBASTO-HEATER ON		
3		12	2	"	STOP ENGINE		
4		"	"	"	CHECK ENGINE		
5		"	"	"	CRUISE ENABLE		
6		24	3	"	CHECK TRANSMISSION		
7		"	4	"	LO-AIR (SEC.)		
8		"	"	"	LO-AIR (PRIM.)		
9		"	"	"	FIRE		
10		12	6	"	TURN SIGNAL RH		
11		"	"	"	" " LH		
12		24	5	"	HI-BEAM		
13		"	7	"	BRAKE		
14		"	11	"	NOT GENERATOR		
15		"	11	"	REAR HTR		
16		"	12	"	FRONT HTR		
17		"	"	"	LOW PRESSURE		
18		"	"	"	HI PRESSURE		
19		"	16	"	LOW FUEL		
20		"	"	"	TOILET		
21		"	"	"	DIFFERENTIAL LOCK		
22		"	3	"	RETARDER		
23		"	18	"	RR DOOR		
24							
25		12	19	DASH	ANTI-SKID		
26		24	21	"	KNEELING		
27		"	23	"	LUGGAGE DOOR LOCK		
28		"	21	"	ARTICULATION TTLT		
29		"	11	"	REAR COOL		
30		"	11	"	FRONT COOL		
31		"	8	"	DOOR AJAR		

TELL-TALE LITE							
TTL #	WATT	VOLT	DIAG. PAGE	LOCATION	DESCRIPTION	TYPE	SYMBOL

LEGEND	<p>① BATTERY AMBITION BLOCK</p> <p>⊏ SINGLE CONNECTION</p> <p>⊏⊏ DOUBLE (MULTIPLE)</p> <p>⊏⊏⊏ OPTION</p>	<p>91-02 MISE A JOUR 88-03 MISE A JOUR 88-03 ETAIT /J008</p>	<p>DESC: TELL-TALE LITE CODE</p>	<p>CESSI D.V. VER. /cc</p>	<p>DATE-88-02 APPR.-</p>
<p>FRONT AMBITION PANEL</p> <p>REAR AMBITION PANEL</p> <p>BATTERY COMPARTMENT</p> <p>CIRCUIT BREAKER</p> <p>WARRANTY CONNECTION</p>	<p>ITEM DATE REVISION PAR</p>	<p>APPL: EFF. W/J009 ⚠ Prior L034 REF: H5-60</p>	<p>NO: D-060660 p. J C</p>		

WIRING DIAGRAM CODE H5-60

			BATTERY		CIRCUIT BREAKER		
			GROUND		FUSE		
			METER GAUGE		DIODE		
			MOMENTARY CONTACT PUSH BUTTON SWITCH		JUNCTION TERMINAL BLOCK		
			BUZZER		THERMOSTAT		
			SOLENOID		PUMP		
			BELL		LIGHT		
			VALVE		FLASHER		
			HEATER				
			MAGNETIC SWITCH RELAY				
			MINI-RELAY N.O.				
			MINI-RELAY N.O. (87) AND N.C. (87A)				
			MINI-RELAY N.C.				
			WIRES CROSSING				
			WIRES WELDING				
		CONNECTOR SOCKET PIN					

LEGEND							
WIRE JUNCTION PANEL	WIRE JUNCTION BLOCK	SINGLE CONNECTION	MULTIPLE CONNECTION	OPTION			
WIRE JUNCTION PANEL	WIRE JUNCTION BLOCK	SINGLE CONNECTION	MULTIPLE CONNECTION	OPTION			
					DESC: WIRING DIAGRAM	DESS: D.V.	DATE: 88-02
						VER.:	APPR.:
					APPL: EFF. W/3009	REF: H5-60	NO: D-060660-p. K
							C



WIRING DIAGRAM INDEX H5-60

A/C AND HEAT SYSTEM	PAGE 11,12,13	INTERIOR LIGHTING	PAGE 7,8,9,10
AIR DRYER	P. 22	KNEELING	P. 21
ALARM AND SIGNAL	P. 4	LOWER WINDSHIELD (WIPER & WASHER)	P. 17
ANTI-SKID	P. 19,20	LUGGAGE DOOR LOCK	P. 23
ARTICULATION BRAKE	P. 22	MOTOR HEATER	P. 23
ARTICULATION SWITCH	P. 21	PASSENGER CHIME	P. 10
BACK UP MONITOR	P. 22	QUICK START	P. 21
CHARGING SYSTEM	P. 1	REAR VIEW MIRROR	P. 14
CIGAR LIGHTER	P. 14	RETARDER	P. 3
CRUISE CONTROL	P. 2	SOUND SYSTEM	P. 24
DIFFERENTIAL LOCK	P. 16	TACHOGRAPHE	P. 16
DIGITAL THERMOMETER	P. 23	TOILET	P. 16
DRIVER'S SEAT HEATER	P. 22	UPPER WINDSHIELD DEFROST	P. 17
DRIVER'S WINDOW	P. 14	UPPER WINDSHIELD (WIPER & WASHER)	P. 17
ENGINE CONTROL	P. 1	WATER TANK HEATER	P. 23
ENTRANCE DOOR CONTROL (FRONT & REAR)	P. 18	LOW FUEL	P. 16
EXTERIOR LIGHTING	P. 4,5,6,7	FRONT DESTINATION SIGN.	P. 15
HEATED MIRROR	P. 14	STORE	P. 15
HOSTESS CHIME	P. 10	RACOR FUEL FILTER	P. 21

LEGEND							
FRONT JUNCTION PANEL	BATTERY JUNCTION BLOCK					DESC: WIRING DIAGRAM H5-60	DESS: D.V.
REAR JUNCTION PANEL	SINGLE CONNECTOR						DATE: 88-02
BATTERY COMPARTMENT	DIODE (RECTIFIER)						VER.-
CIRCUIT BREAKER	OPTIM						APPR.-
WIRING HARNESS CONNECTOR							
		A 88-03	ETAIT 1/008	BC		APPL: EFF. W/ J009	REF: H5-60
		ITEM	DATE	REVISION	PAR		NO: D-060660 p. L
							C



WIRING DIAGRAM INDEX H5-60


<p>A/C AND HEAT SYSTEM PAGE 11,12,13</p> <p>AIR DRYER P 22</p> <p>ALARM AND SIGNAL P 4</p> <p>ANTI-SKID P 19,20</p> <p>ARTICULATION BRAKE P 22</p> <p>ARTICULATION SWITCH P 21</p> <p>BACK UP MONITOR P 22</p> <p>CHARGING SYSTEM P 1</p> <p>CIGAR LIGHTER P 14</p> <p>CRUISE CONTROL P 2</p> <p>DIFFERENTIAL LOCK P 16</p> <p>DIGITAL THERMOMETER P 23</p> <p>DRIVER'S SEAT HEATER P 22</p> <p>DRIVER'S WINDOW P 14</p> <p>ENGINE CONTROL P 1</p> <p>ENTRANCE DOOR CONTROL (FRONT & REAR) P 18</p> <p>EXTERIOR LIGHTING P 4,5,6,7</p> <p>HEATED MIRROR P 14</p> <p>HOSTESS CHIME P 10</p>	<p>PAGE</p>	<p>INTERIOR LIGHTING PAGE 7,8,9,10</p> <p>KNEELING P 21</p> <p>LOWER WINDSHIELD (WIPER & WASHER) P 17</p> <p>LUGGAGE DOOR LOCK P 23</p> <p>MOTOR HEATER P 23</p> <p>PASSENGER CHIME P 10</p> <p>QUICK START P 21</p> <p>REAR VIEW MIRROR P 14</p> <p>RETARDER P 3</p> <p>SOUND SYSTEM P 24</p> <p>TACHOGRAPH P 16</p> <p>TOILET P 16</p> <p>UPPER WINDSHIELD DEFROST P 17</p> <p>UPPER WINDSHIELD (WIPER & WASHER) P 17</p> <p>WATER TANK HEATER P 23</p> <p>LOW FUEL P 16</p> <p>FRONT DESTINATION SIGN. P 15</p> <p>SUN VISOR P 15</p> <p>RACOR FUEL FILTER P 21</p>
--	-------------	--

PREVOST		LEGEND		THIS DOCUMENT IS THE EXCLUSIVE PROPERTY OF PREVOST CAR INC. IT IS TO BE USED ONLY FOR THE PURPOSES FOR WHICH IT WAS ISSUED. ANY REPRODUCTION OR DISTRIBUTION OF THIS DOCUMENT IS STRICTLY PROHIBITED.		THIS DOCUMENT IS THE EXCLUSIVE PROPERTY OF PREVOST CAR INC. IT IS TO BE USED ONLY FOR THE PURPOSES FOR WHICH IT WAS ISSUED. ANY REPRODUCTION OR DISTRIBUTION OF THIS DOCUMENT IS STRICTLY PROHIBITED.		THIS DOCUMENT IS THE EXCLUSIVE PROPERTY OF PREVOST CAR INC. IT IS TO BE USED ONLY FOR THE PURPOSES FOR WHICH IT WAS ISSUED. ANY REPRODUCTION OR DISTRIBUTION OF THIS DOCUMENT IS STRICTLY PROHIBITED.		
FRONT JUNCTION PANEL REAR JUNCTION PANEL BATTERY COMPARTMENT CIRCUIT BREAKER HARNESS CONNECTOR	BATTERY JUNCTION BLOCK SINGLE CONNECTOR DIODE (RECTIFIER) OPTION	B 91-10 A 88-03	SUNVISOR ETAT STORE ETAT 10008	MZ BC	DESC: WIRING DIAGRAM APPL: EFF. W/ J009 Δ PRIOR L034 REF: H5-60		DESS: D.V. VER: KC	DATE: 88-02 APPR:	NO: D-060660 p. L	C

M

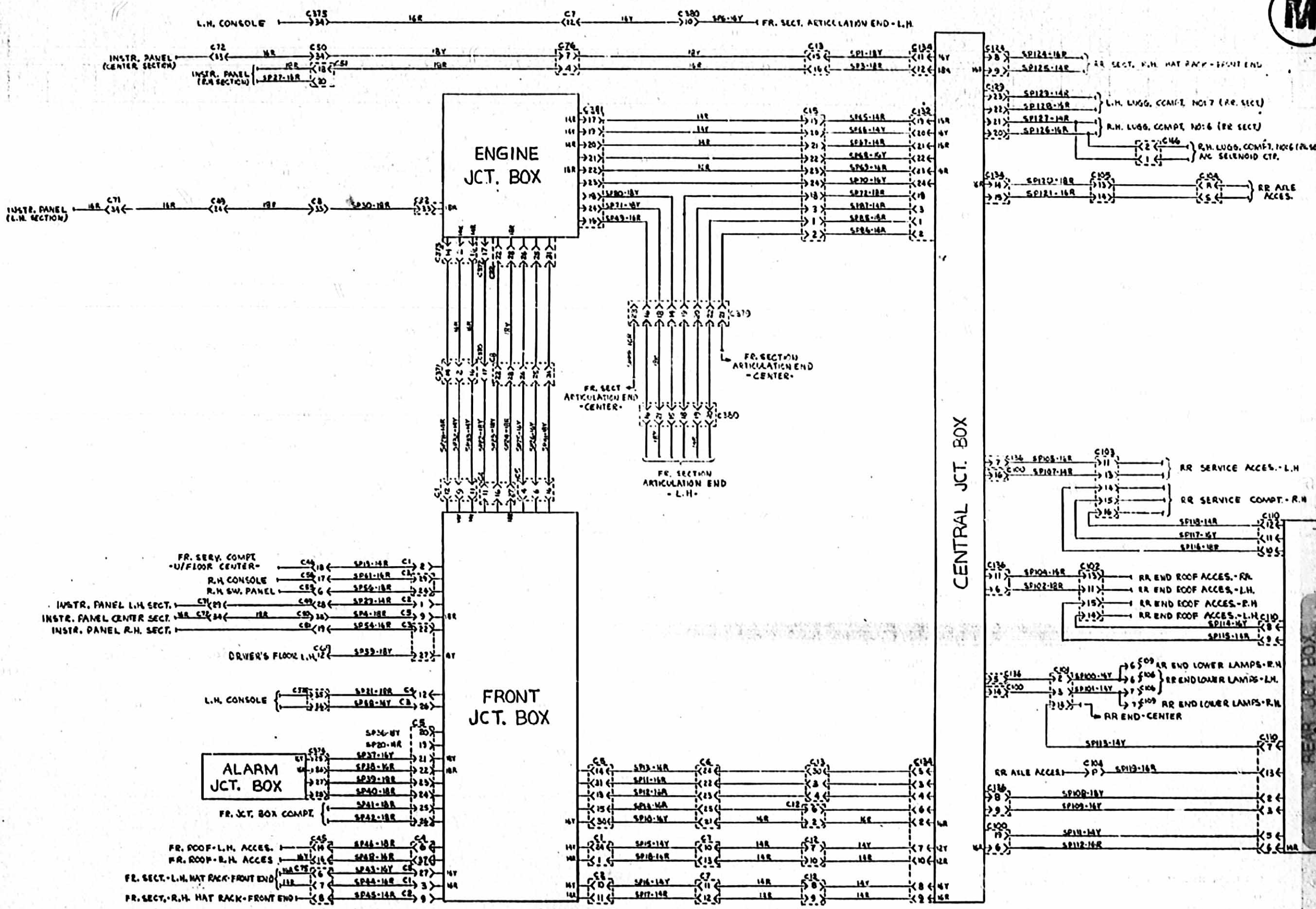
WIRING DIAGRAM INDEX H5-60

A/C AND HEAT SYSTEM	PAGE	11,12,13	INTERIOR LIGHTING	PAGE	7,8,9,10
AIR DRYER	P.	22	KNEELING	P.	21
ALARM AND SIGNAL	P.	4	LOWER WINDSHIELD (WIPER & WASHER)	P.	7
ANTI-SKID	P.	19,20	LUGGAGE DOOR LOCK	P.	23
ARTICULATION BRAKE	P.	22	MOTOR HEATER	P.	25
ARTICULATION SWITCH	P.	21	PASSENGER CHIME	P.	10
BACK UP MONITOR	P.	22	QUICK START	P.	21
CHARGING SYSTEM	P.	1	REAR VIEW MIRROR	P.	14
CIGAR LIGHTER	P.	14	RETARDER	P.	3
CRUISE CONTROL	P.	2	SOUND SYSTEM	P.	24
DIFFERENTIAL LOCK	P.	16	TACHOGRAPH	P.	16
DIGITAL THERMOMETER	P.	23			
DRIVER'S SEAT HEATER	P.	22	TOILET	P.	16
DRIVER'S WINDOW	P.	14	UPPER WINDSHIELD DEFROST	P.	17
ENGINE CONTROL	P.	1	UPPER WINDSHIELD (WIPER & WASHER)	P.	17
ENTRANCE DOOR CONTROL (FRONT & REAR)	P.	18	WATER TANK HEATER	P.	23
EXTERIOR LIGHTING	P.	4,5,6,7	LOW FUEL	P.	16
HEATED MIRROR	P.	14	FRONT DESTINATION SIGN.	P.	15
HOSTESS CHIME	P.	10	SUN VISOR	P.	15
			RACOR FUEL FILTER	P.	21

LEGEND				TITRE: WIRING DIAGRAM H5-60		DESS: P.C.	DATE: 87-04
FRONT JUNCTION PANEL REAR JUNCTION PANEL BATTERY COMPARTMENT CIGARETTE LIGHTER HARNESS CONNECTOR	 BATTERY JUNCTION BLOCK SINGLE CONNECTOR DIODE (RECTIFIER) OPTION	C 91-10 SUN VISOR ETAT STORE B 88-02 LANCE A 87-04 CORR. PRELIMINAIRE	M DT PC.	APPL: EFF. W/J001 PRIOR TO J003 REF: H5-60	NO: D-060566 p. L C		

11
11
58
8.5"
11"
17"

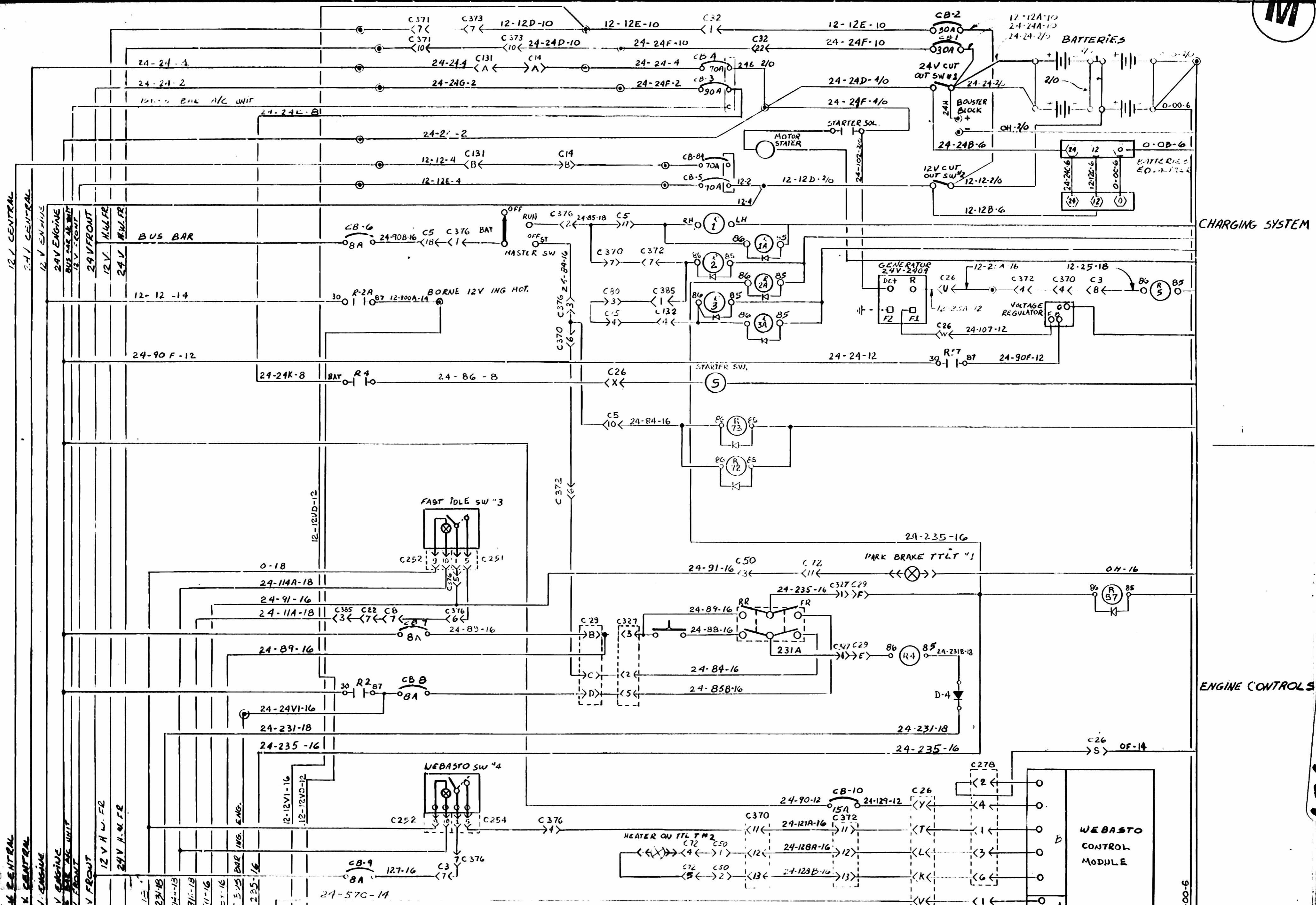
11
11
58
11"
17"



DESCRIPTION:		SPARE WIRES	
DR. <i>M.L.</i>	DATE: 8/05/30		
CR. <i>LC</i>	APPR. <i>LC</i>		
APPL: EFF. W/ J009 PRIOR TO: L033		REF:	NO: D-060660 P.M. C

A	91-02	41165 A JOUR	M
ITEM	DATE	REVISION	BY

M



ITEM	DATE	REVISION	PAR
F	88-08	R2A, POS. 86 ETAIT FIL # 85	M.L.
E	88-06	MISE A JOUR	M.L.
D	88-05	MISE A JOUR	R.C.
C	88/04	C.D. # 13920	M.L.
B	88/03	D-4 AJOUTE	M.L.
A	88/03	R72 & R73 AJOUTES	M.L.

DESC: WIRING DIAGRAM

APPL: EFF. W/3009

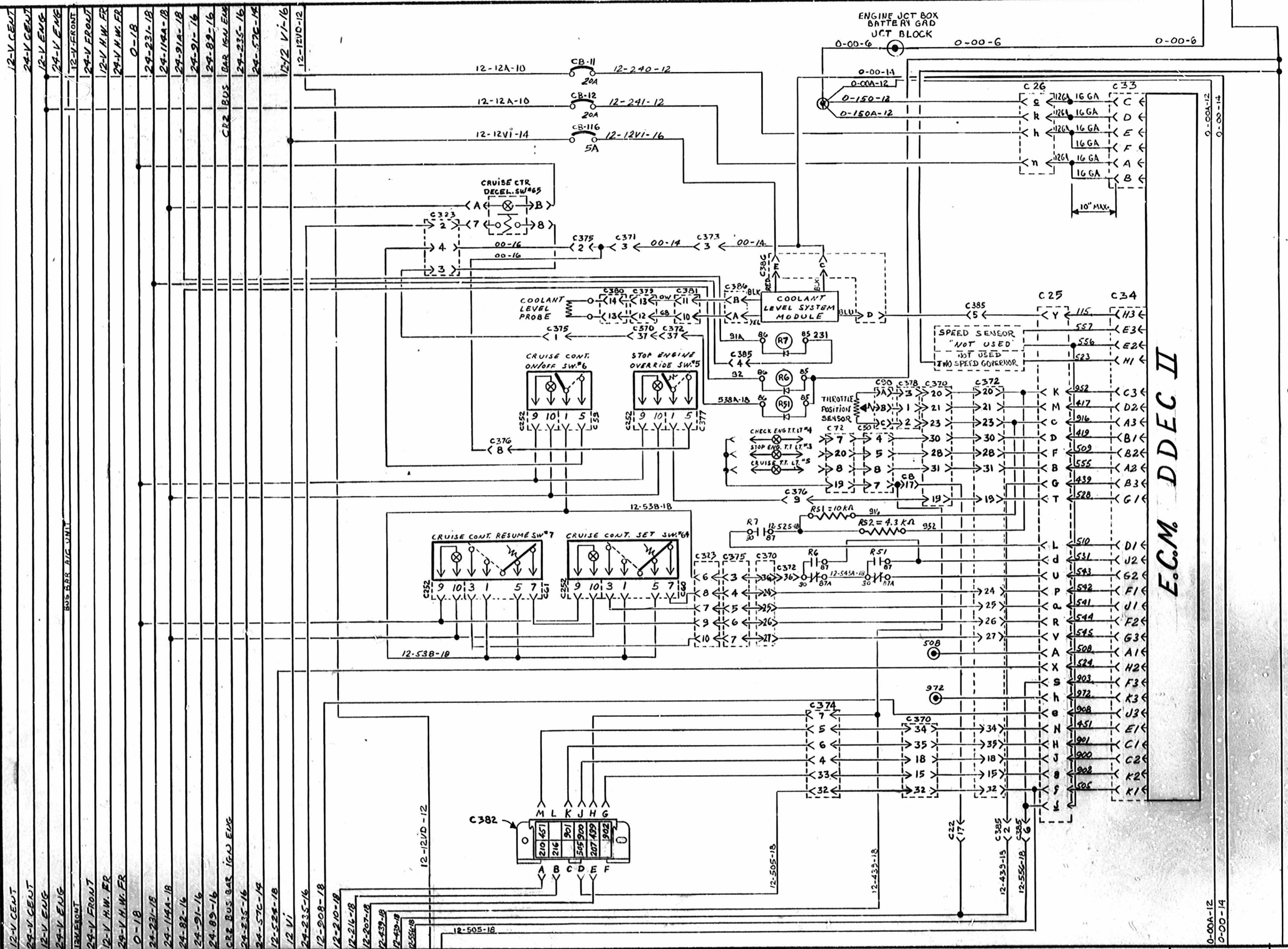
REF: H5-60

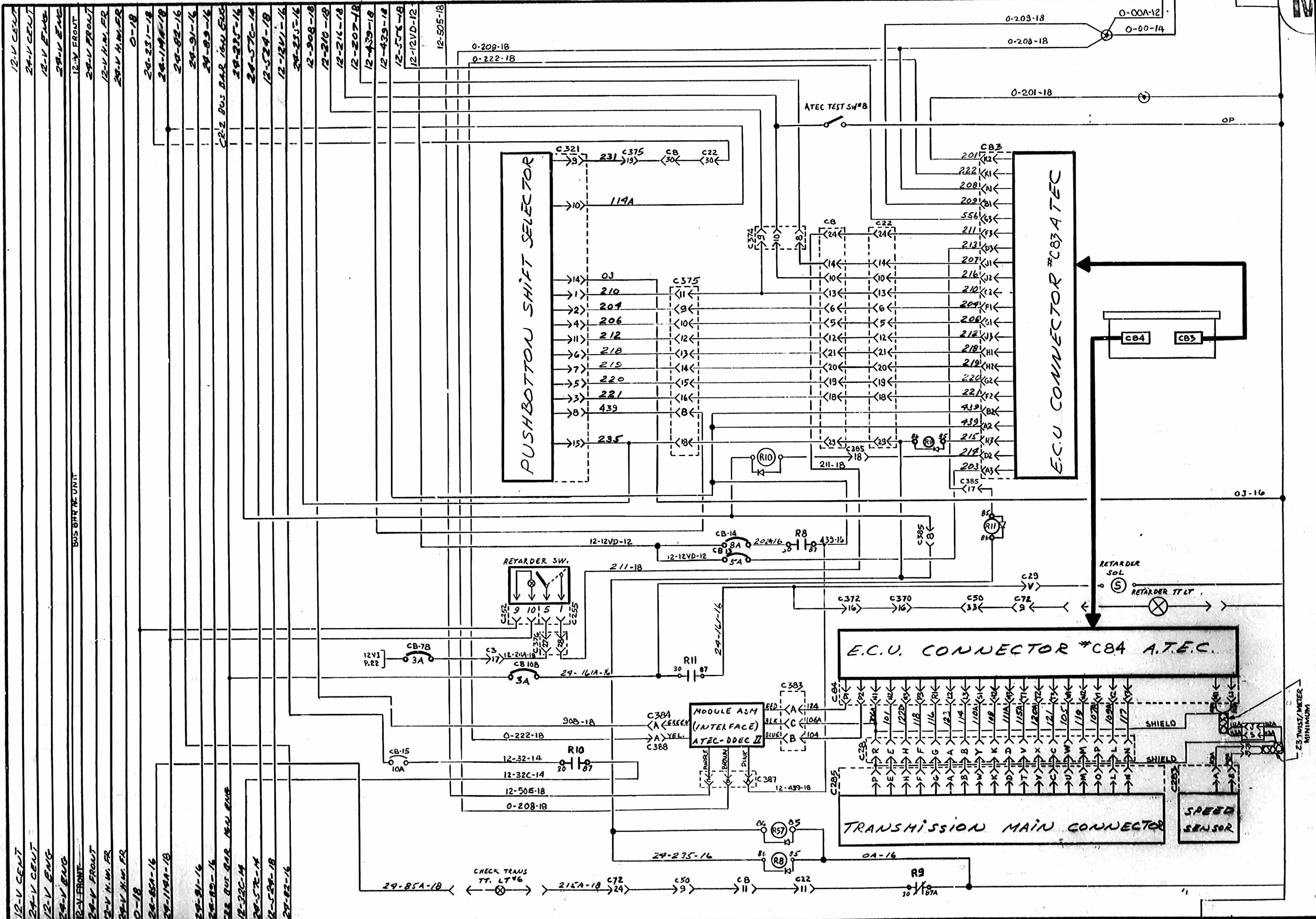
DESS: D.V.

VER: *[Signature]*

NO: D-060660 1/24 C

88-02

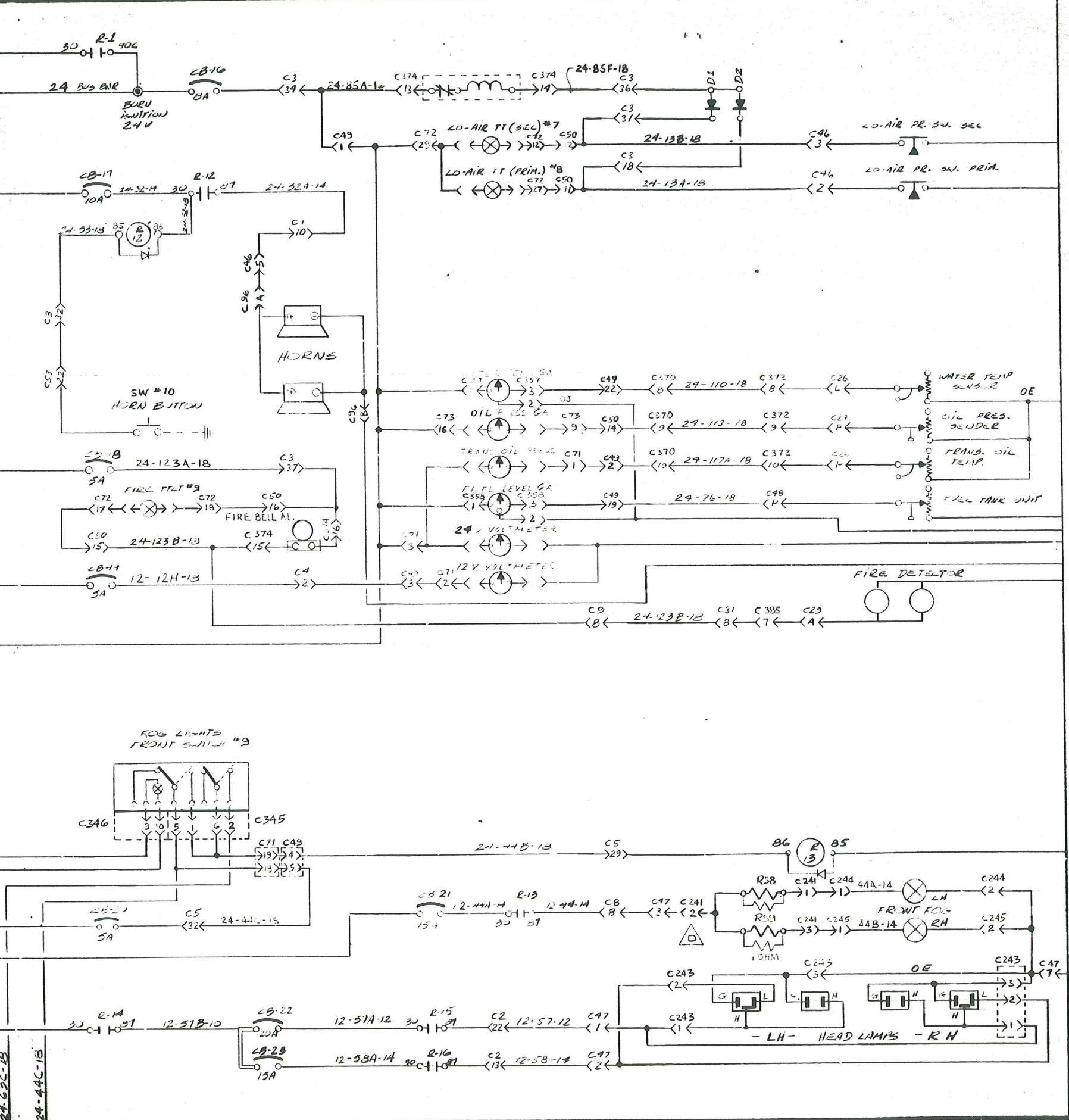
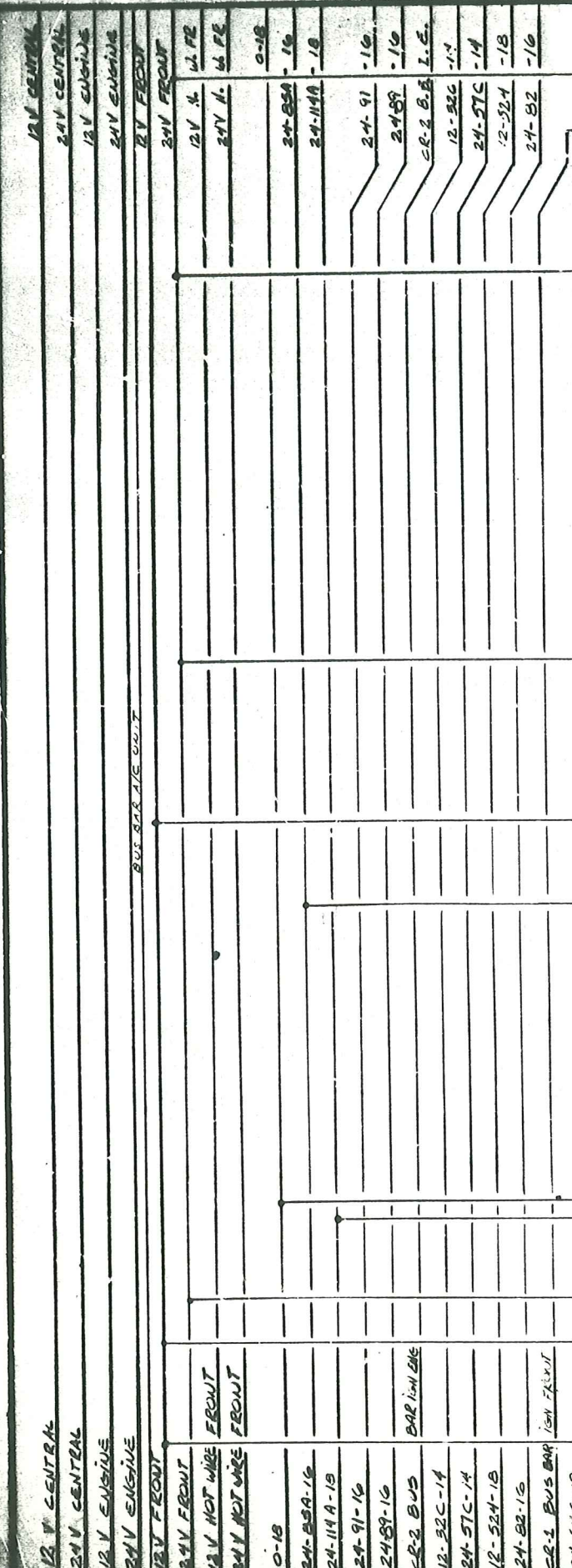




LEGEND		REVISION		DESC:		DESS:		DATE:	
	FRONT JUNCTION PANEL	E	88-10	MISE A JOUR	M.J.				
	REAR JUNCTION PANEL	D	88-06	MISE A JOUR	M.J.				88-02
	BATTERY COMPARTMENT	C	88-05	MISE A JOUR	B.C.	ATEC WIRING DIAGRAM			
	CIRCUIT BREAKER	B	88-03	CD. # 13753	B.C.	APPL: VEH. EFF. J009			
	HARNESS CONNECTOR	A	88-03	ETAIT /J008	B.C.	REF: H5-60			
	BATTERY JUNCTION BLOCK	TEM	DATE	REVISION	PAR	NO: D-060660 3/4 C			
	SINGLE CONNECTOR					VER. - P.V. / C			
	DIODE (RECTIFIER)					APPR. -			
	OPTION								

11" 5.8" 8.5" 11"

11" 5.8"



ALARM & SIGNAL

EXTERIOR LIGHTING

D	89-10	CD # 17497	SL
C	88-06	MISE A JOUR	
B	88-03	CD 13753	BC
A	88-03	ETAIT 1008	BC
ITEM	DATE	REVISION	PAR

WIRING DIAGRAM

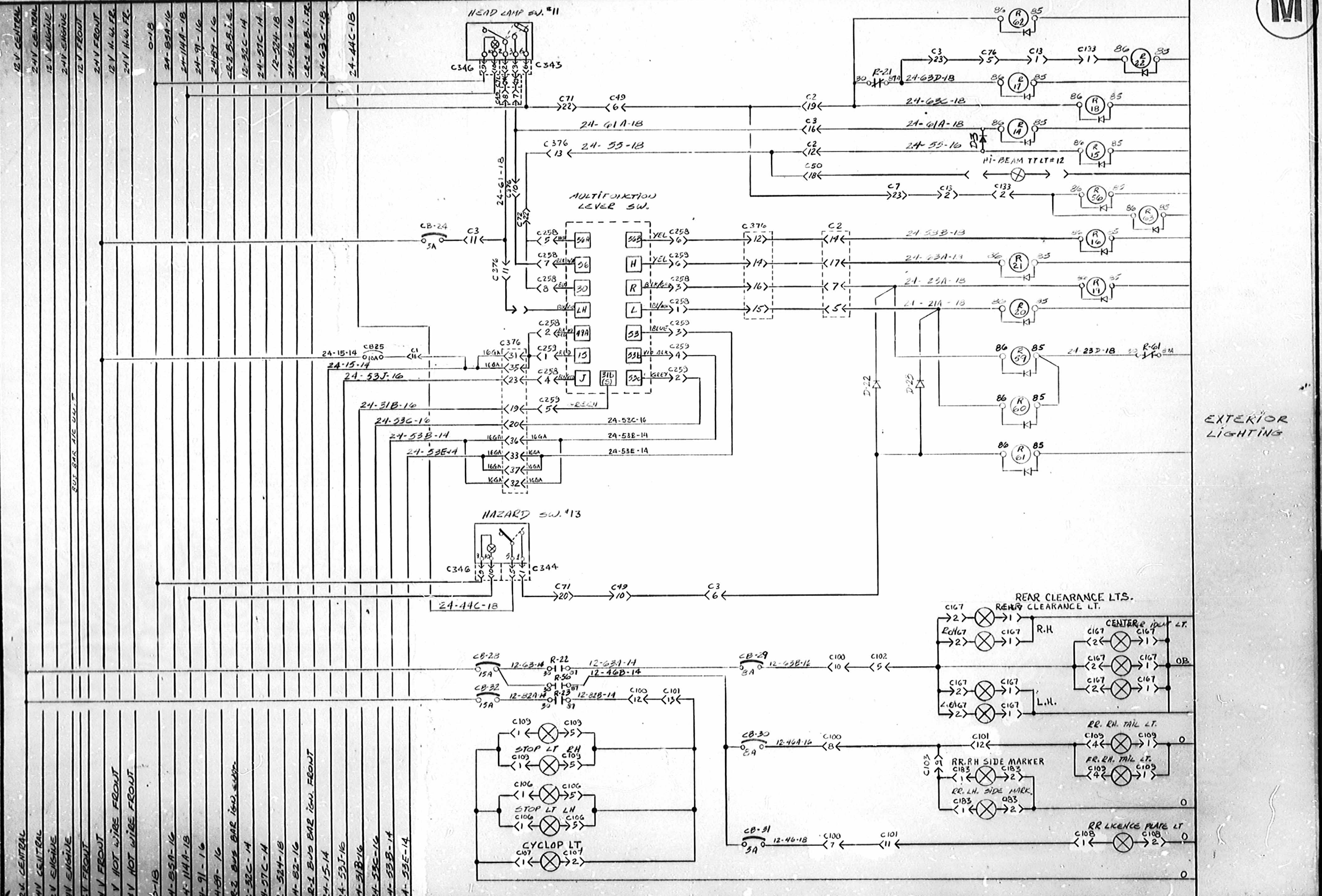
APPL: EFF. W/009

REF: H5-60

DESS: D.T. DATE: 88-02

VER: KC

NO: D-060660



EXTERIOR LIGHTING

- 12V CENTRAL
- 24V CENTRAL
- 12V ENGINE
- 24V ENGINE
- 12V FRONT
- 24V FRONT
- 12V H.W. FR.
- 24V H.W. FR.
- 0-18
- 24-85A-16
- 24-114A-18
- 24-91-16
- 24-57-16
- 24-85-16
- 12-52C-14
- 24-57C-14
- 12-524-18
- 24-82-16
- 24-82-16
- 24-63C-18
- 24-44C-18

- 12V CENTRAL
- 24V CENTRAL
- 12V ENGINE
- 24V ENGINE
- 12V FRONT
- 24V FRONT
- 12V HOT WIRE FRONT
- 24V HOT WIRE FRONT
- 0-18
- 24-85A-16
- 24-114A-18
- 24-91-16
- 24-57-16
- 24-85-16
- 12-52C-14
- 24-57C-14
- 12-524-18
- 24-82-16
- 24-82-16
- 24-63C-18
- 24-44C-18

LEGEND

○	STOP LIGHT
○	CYCLOP LIGHT
○	MARKER LIGHT
○	TAIL LIGHT
○	PLATE LIGHT
○	REFLECTOR

ITEM	DATE	REVISION	PAR
C	88-06	MISE A JOUR	M.A
B	88-03	C.D.#13753	B.C
A	88-03	ETAIT /J008	B.C

DESC: WIRING DIAGRAM

APPL: EFF. W/J009

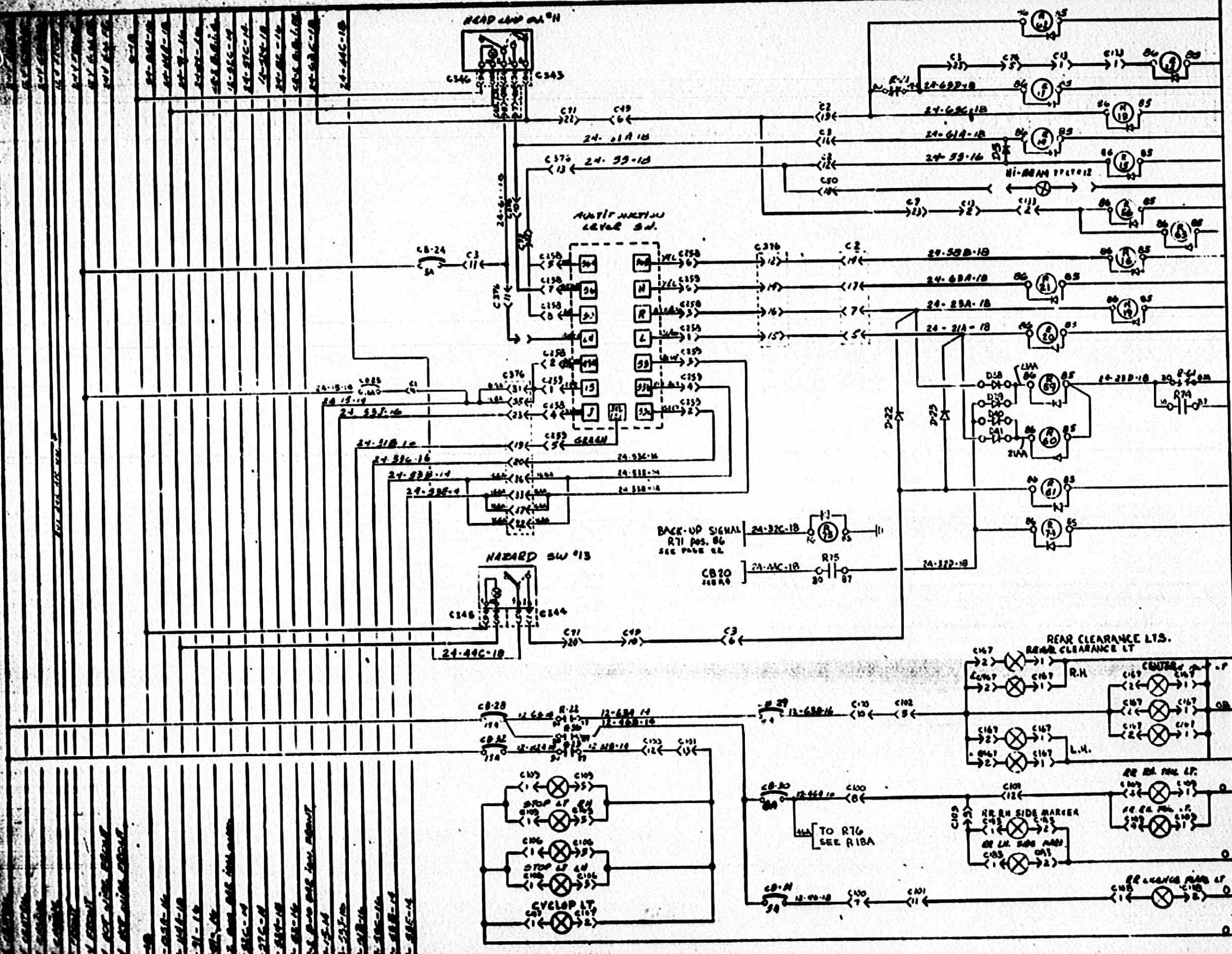
REF: H5-60

DESS: D.T. DATE: 88-02

VER: APPR:

NO: D-060660 5/24 C

M



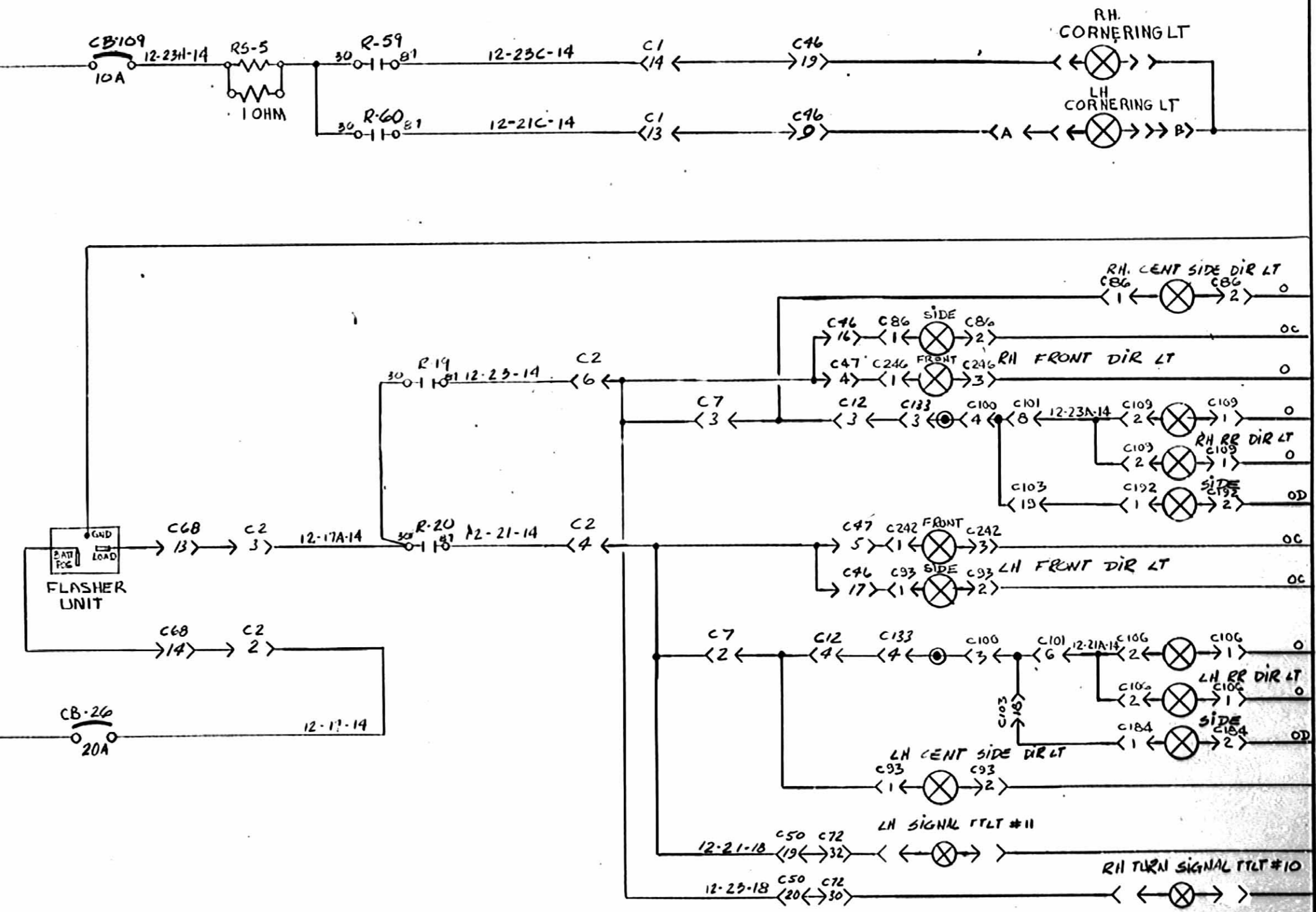
EXTERIOR LIGHTING

- 24-44C-10
- 24-44C-11
- 24-44C-12
- 24-44C-13
- 24-44C-14
- 24-44C-15
- 24-44C-16
- 24-44C-17
- 24-44C-18
- 24-44C-19
- 24-44C-20
- 24-44C-21
- 24-44C-22
- 24-44C-23
- 24-44C-24
- 24-44C-25
- 24-44C-26
- 24-44C-27
- 24-44C-28
- 24-44C-29
- 24-44C-30
- 24-44C-31
- 24-44C-32
- 24-44C-33
- 24-44C-34
- 24-44C-35
- 24-44C-36
- 24-44C-37
- 24-44C-38
- 24-44C-39
- 24-44C-40
- 24-44C-41
- 24-44C-42
- 24-44C-43
- 24-44C-44
- 24-44C-45
- 24-44C-46
- 24-44C-47
- 24-44C-48
- 24-44C-49
- 24-44C-50
- 24-44C-51
- 24-44C-52
- 24-44C-53
- 24-44C-54
- 24-44C-55
- 24-44C-56
- 24-44C-57
- 24-44C-58
- 24-44C-59
- 24-44C-60
- 24-44C-61
- 24-44C-62
- 24-44C-63
- 24-44C-64
- 24-44C-65
- 24-44C-66
- 24-44C-67
- 24-44C-68
- 24-44C-69
- 24-44C-70
- 24-44C-71
- 24-44C-72
- 24-44C-73
- 24-44C-74
- 24-44C-75
- 24-44C-76
- 24-44C-77
- 24-44C-78
- 24-44C-79
- 24-44C-80
- 24-44C-81
- 24-44C-82
- 24-44C-83
- 24-44C-84
- 24-44C-85
- 24-44C-86
- 24-44C-87
- 24-44C-88
- 24-44C-89
- 24-44C-90
- 24-44C-91
- 24-44C-92
- 24-44C-93
- 24-44C-94
- 24-44C-95
- 24-44C-96
- 24-44C-97
- 24-44C-98
- 24-44C-99
- 24-44C-100

DESC	WIRING DIAGRAM		DESS, M. J.	DATE 89-09
			VER. / C	
B 90/11	FIL ALA (ENG. TO R76 ALBITE)	M/		
A 87/09	LANC 06 87162	M/		
DATE	REVISION	APPL EFF. W/1009	Prior L034	REF: H5-60 "SPECIAL VOYAGEUR"
				NON D-060660 5A



12V CENTRAL	12V CENTRAL
24V CENTRAL	24V CENTRAL
12V ENGINE	12V ENGINE
24V ENGINE	24V ENGINE
12V FRONT	12V FRONT
24V FRONT	24V FRONT
12V H.W. FR.	12V HOT WIRE FRONT
24V H.W. FR.	24V HOT WIRE FRONT
0-18	0-18
24-85A-16	24-85A-16
24-114A-18	24-114A-18
24-91-16	24-91-16
24-89-16	24-89-16
CR-2 BUS BAR ION ENG	CR-2 BUS BAR ION ENG
12-32C-14	12-32C-14
24-57C-14	24-57C-14
12-224-18	12-224-18
24-82-16	24-82-16
CR-1 BUS BAR ION FR	CR-1 BUS BAR ION FR
24-15-14	24-15-14
24-53J-16	24-53J-16
24-31B-16	24-31B-16
24-53C-16	24-53C-16
24-53B-14	24-53B-14
24-53E-14	24-53E-14



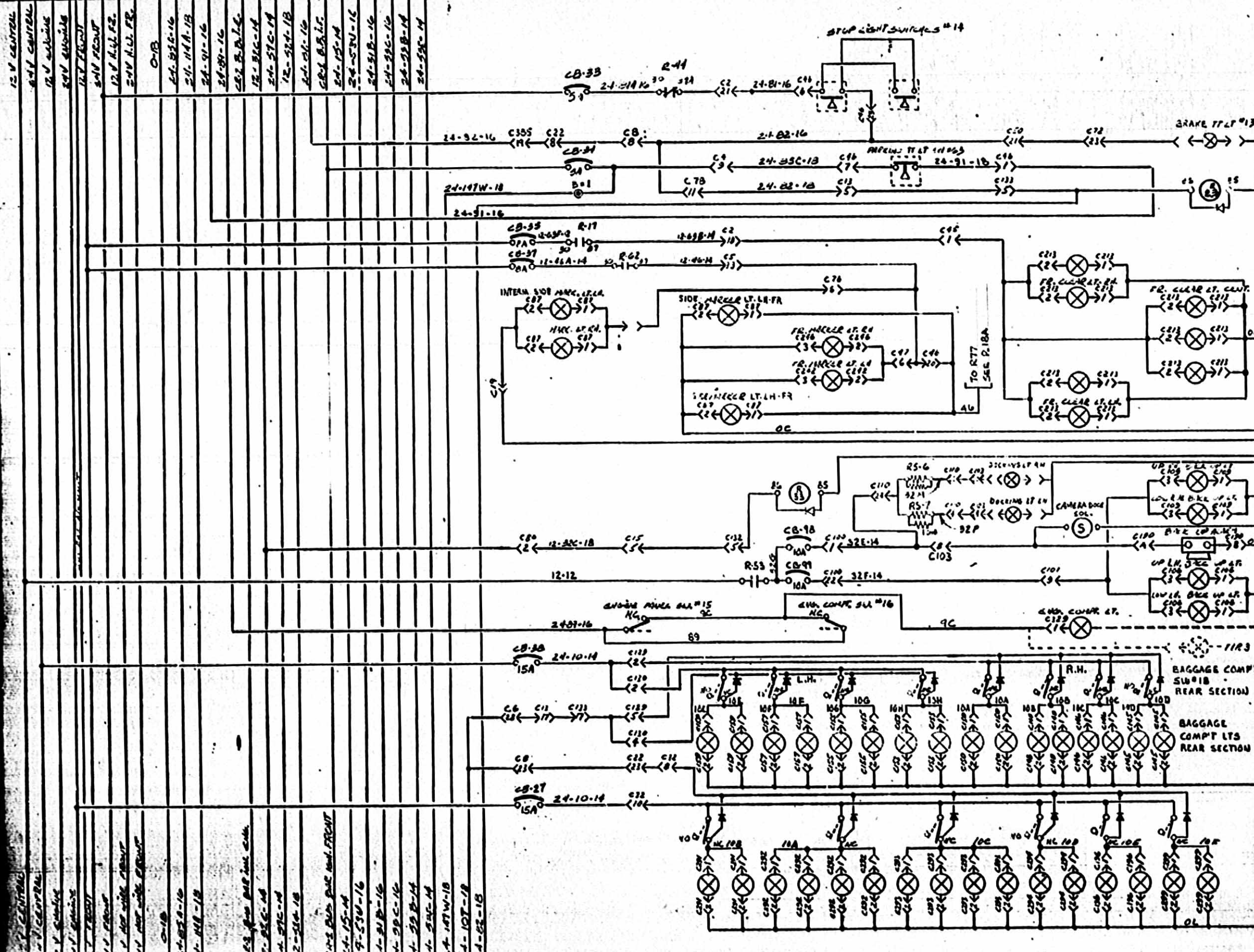
EXTERIOR LIGHTING

12V CENTRAL	12V CENTRAL
24V CENTRAL	24V CENTRAL
12V ENGINE	12V ENGINE
24V ENGINE	24V ENGINE
12V FRONT	12V FRONT
24V FRONT	24V FRONT
12V HOT WIRE FRONT	12V HOT WIRE FRONT
24V HOT WIRE FRONT	24V HOT WIRE FRONT
0-18	0-18
24-85A-16	24-85A-16
24-114A-18	24-114A-18
24-91-16	24-91-16
24-89-16	24-89-16
CR-2 BUS BAR ION ENG	CR-2 BUS BAR ION ENG
12-32C-14	12-32C-14
24-57C-14	24-57C-14
12-224-18	12-224-18
24-82-16	24-82-16
CR-1 BUS BAR ION FR	CR-1 BUS BAR ION FR
24-15-14	24-15-14
24-53J-16	24-53J-16
24-31B-16	24-31B-16
24-53C-16	24-53C-16
24-53B-14	24-53B-14
24-53E-14	24-53E-14

C	88-07	OC# 68112	CD# 14726	STRT 3003	M.T.
B	88-03	C.D. #	13753		B.C.
A	03-88	ETAIT	/J008		B.C.
ITEM	DATE	REVISION			PAR

DESC: WIRING DIAGRAM
 APPL: EFF. W/K020
 REF: H5-60

DESS: D.V.
 VER: EC
 DATE: 88-02
 NO: D-060660



EXTERIOR LIGHTING

INTERIOR LIGHTING

12 V CENTRAL
12 V AUXILIARY
12 V BATTERY
12 V FUSE
12 V LIGHTS
12 V MOTOR
12 V RELAY

12 V CENTRAL
12 V AUXILIARY
12 V BATTERY
12 V FUSE
12 V LIGHTS
12 V MOTOR
12 V RELAY

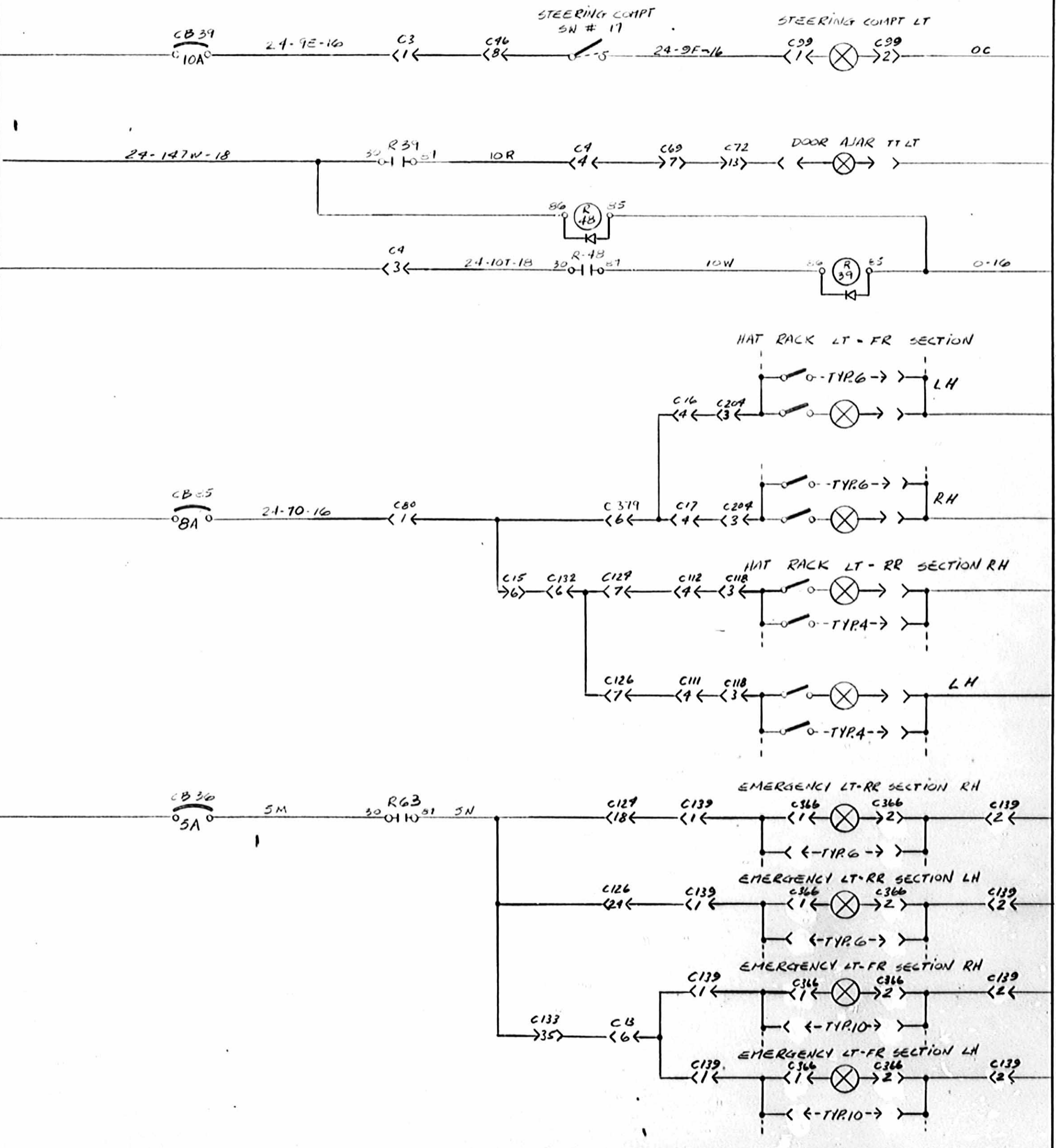
D	90/11	FIL 46 (TO RT7 ROUTE)	M	DESC :	DESS: D.V.	DATE: 88-02
C	85-05	CB38 & CB27 FRONT 10A	M	WIRING DIAGRAM	VER: 1/6	APP:
B	88-03	CD # 13753	BC			
A	88-03	ETAIT / J008	BC			
ITEM	DATE	REVISION	PAR	APPL: EFF. W/J009	REF: HS-60	NO: D-060660 1/24



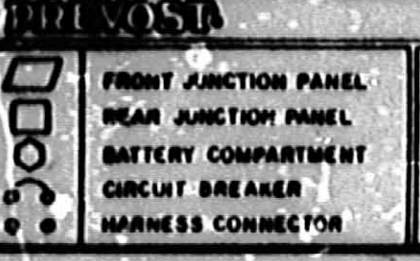
12V CENTRAL
24V CENTRAL
12V ENGINE
24V ENGINE
12V FRONT
24V FRONT
12V H.W.FR.
24V H.W.FR.
0-1B
24-95A-16
24-114A-13

CR-2 B.B.I.E.
12-32C-14
24-57C-14
12-52A-12
CR-1 B.B.I.E.
24-15-14
24-53J-16
24-51B-16
24-53C-16
24-53B-14
24-53E-14
24-147W-13
24-10T-13
24-22-13

12V CENTRAL
24V CENTRAL
12V ENGINE
24V ENGINE
12V FRONT
24V FRONT
12V HOT WIRE FRONT
24V HOT WIRE FRONT
0-1B
24-95A-16
24-114A-13
CR-2 BUS BAR IGN. ENGR.
12-32C-14
24-57C-14
12-52A-12
CR-1 BUS BAR IGN. FRONT
24-15-14
24-53J-16
24-51B-16
24-53C-16
24-53B-14
24-53E-14
24-147W-13
24-22-13



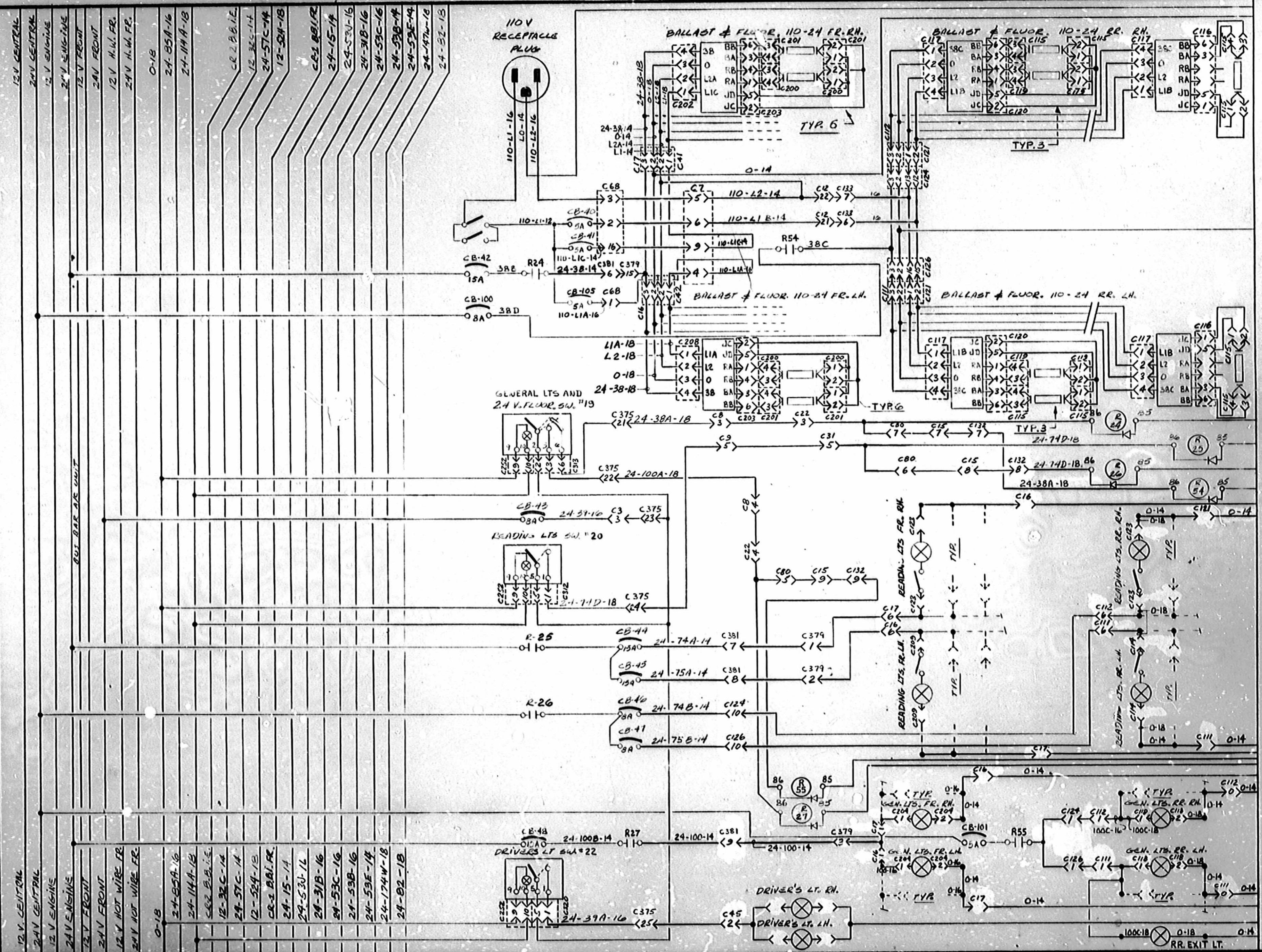
INTERIOR LIGHTING



ITEM	DATE	REVISION	PAR
8	88-05	CB 85 ETAP 5A	MZ
A	88-03	ETAIT 1J008	BC

DESC: WIRING DIAGRAM
 APPL: EFF. W/J009
 REF: H5-60

DESS: D.V.
 VER: -
 DATE: 88-02
 APPR: -
 NO: D-060660 8/24 C



INTERIOR LIGHTING

LEGEND

	BATTERY JUNCTION PANEL
	RELAY JUNCTION PANEL
	BATTERY COMPARTMENT
	CIRCUIT BREAKER
	HARNESS CONNECTOR
	BATTERY JUNCTION BLOCK
	SINGLE CONDUCTOR
	BUNDLE MASTER
	OPTION

ITEM	DATE	REVISION	PAR
A	88-03	ÉTRAIT / 0009	B.C.

DESC: **WIRING DIAGRAM H5-60**

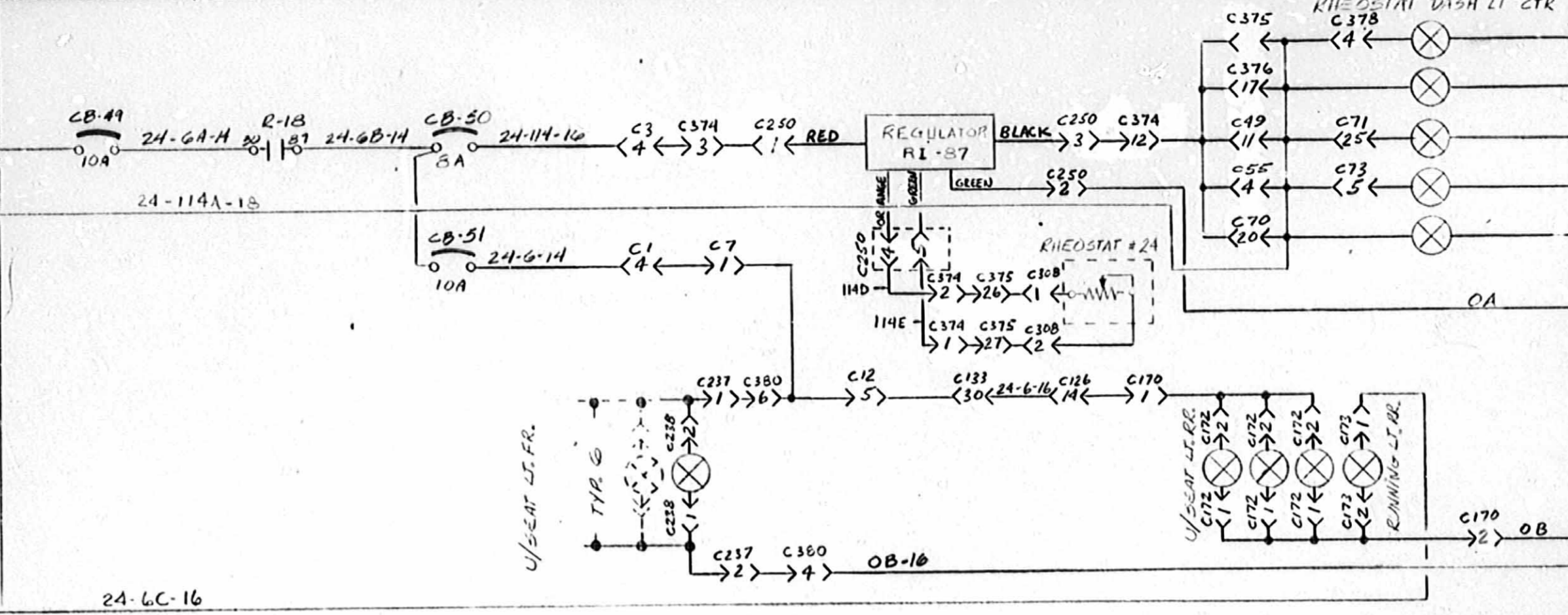
APPL: EFF. W/0009

REF: H5-60

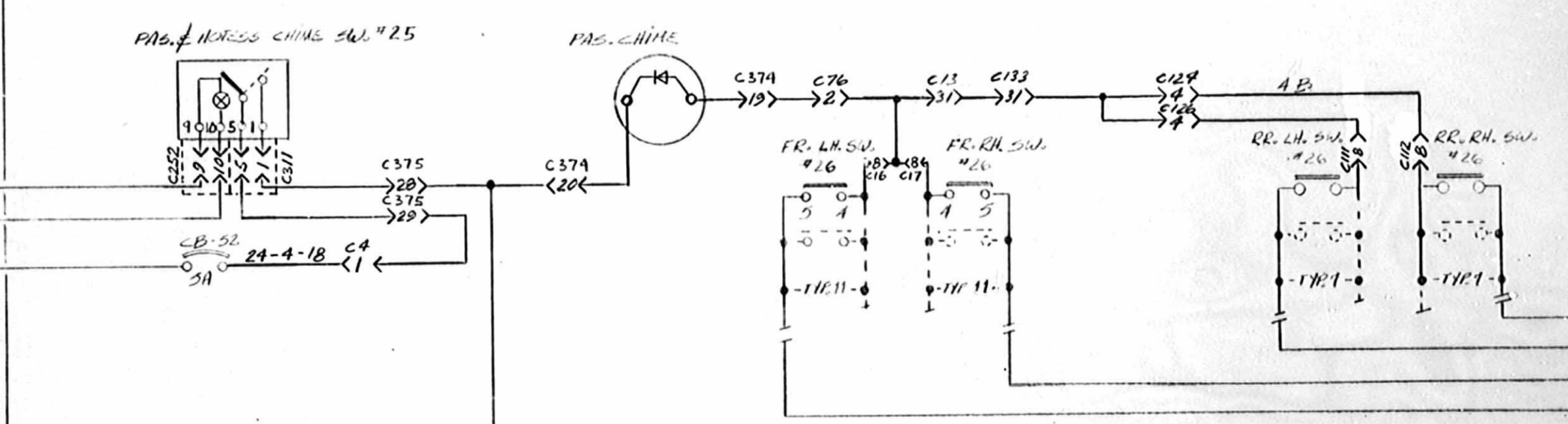
DESS: D.V.	DATE: 88-02
VER. -	APPR. -
NO: D-060660	9/24 C

M

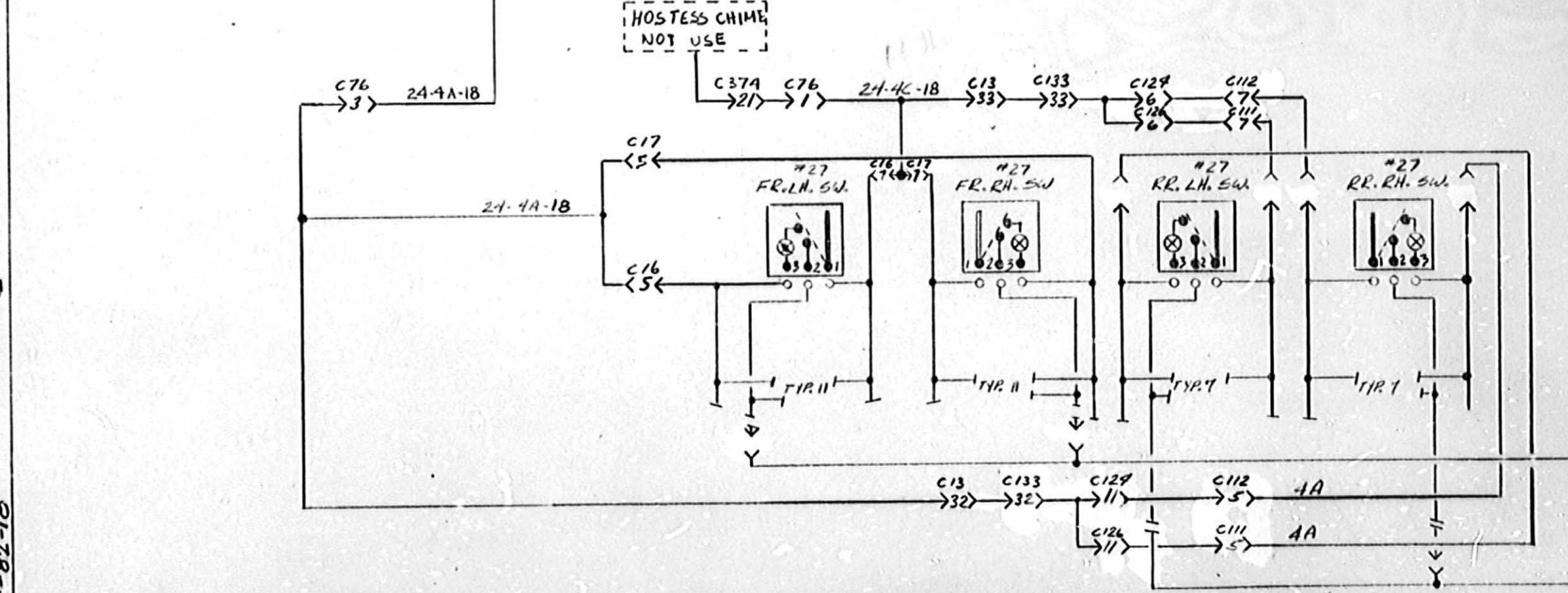
- 12 V CENTRAL
- 24V CENTRAL
- 12 V ENGINE
- 24V ENGINE
- 12V FRONT
- 24V FRONT
- 12V H.W.FR.
- 24V H.W.FR.
- 0-18
- 24-25A-16
- 24-114A-18
- CR-2 B.B.I.E
- 12-32C-14
- 24-57C-14
- 12-524-18
- CR-1 B.B.I.FR
- 24-15-14
- 24-53U-16
- 24-31B-16
- 24-53C-16
- 24-53B-16
- 24-53E-14
- 24-147W-18
- 24-6C-16
- 24-82-18



INTERIOR LIGHTING



PASSENGER CHIME

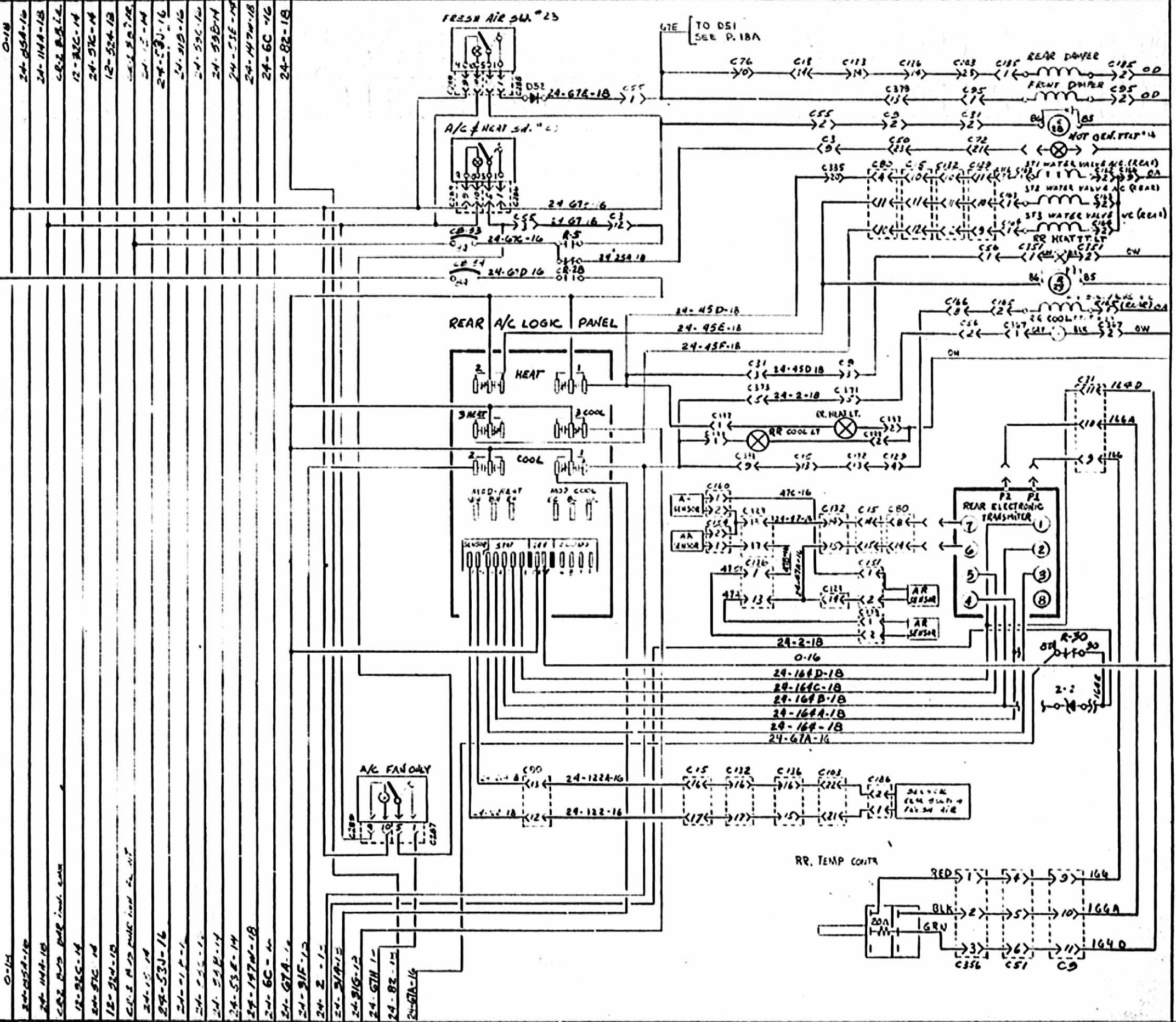


HOSTESS CHIME

<p>LEGEND</p> <p>FRONT JUNCTION PANEL</p> <p>REAR JUNCTION PANEL</p> <p>BATTERY COMPARTMENT</p> <p>CIRCUIT BREAKER</p> <p>WIRING CONNECTOR</p>		<p>BATTERY JUNCTION BLOCK</p> <p>SIMPLE CONNECTION</p> <p>SHOES (RESISTOR)</p> <p>OPTION</p>		<p>DESC: WIRING DIAGRAM H5-60</p>		<p>DESS: D.V.</p> <p>VER: -</p>		<p>DATE: 88-02</p> <p>APPR: -</p>	
A	88-03	ETAIT 1008	Bc	APPL: EFF. W/1009	REF: H5-60	NO: D-060660 10/24		C	
ITEM	DATE	REVISION	PAR						

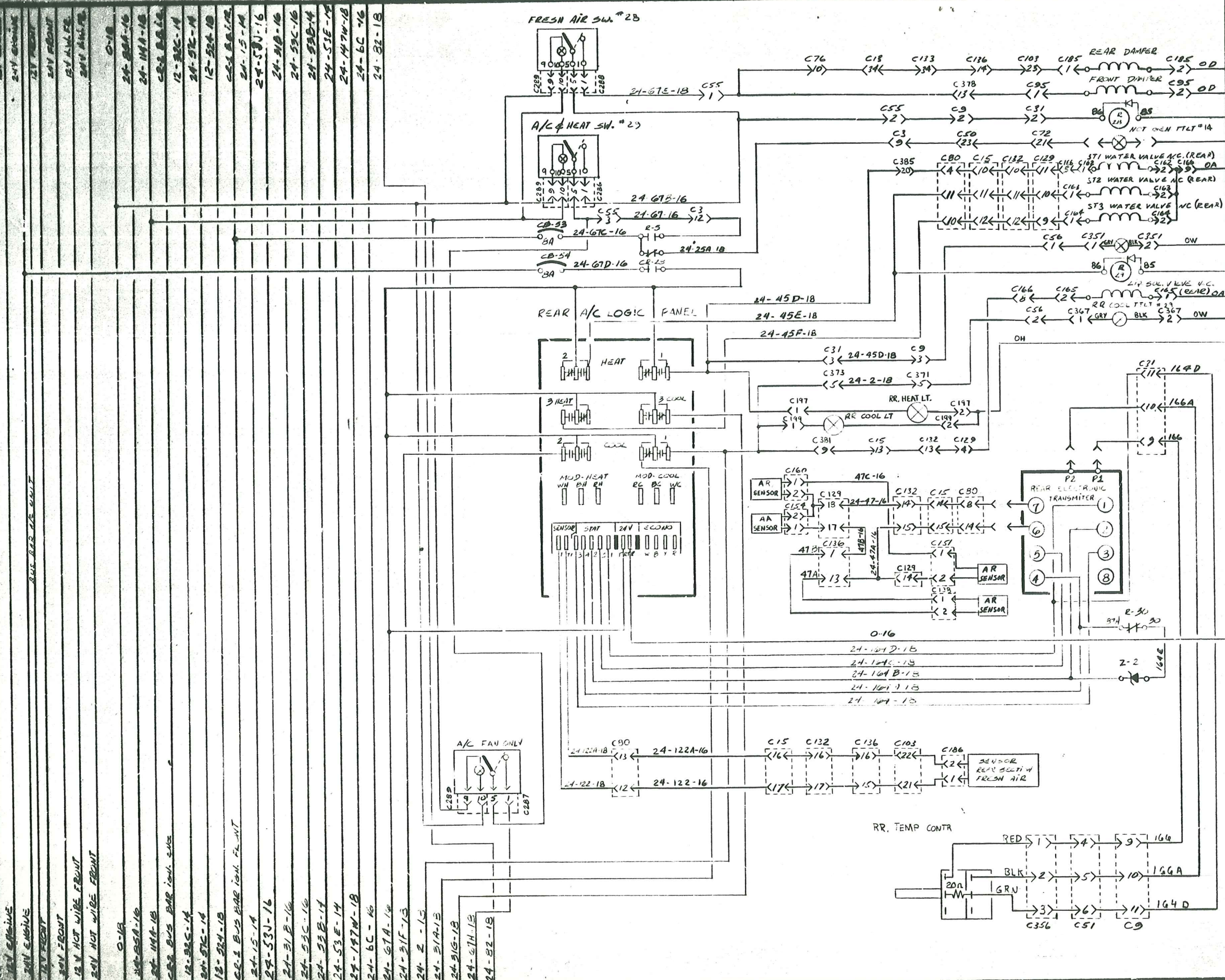
24V CENTRAL
 24V CONTROL
 24V EXTENSIVE
 24V AIRLINE
 24V FRONT
 24V REAR
 24V W/REAR FRONT
 24V W/FRONT FRONT
 24V W/FRONT FRONT

0-16
 24-65A-16
 24-114A-1B
 24-114B-1B
 24-114C-1B
 24-114D-1B
 24-114E-1B
 24-114F-1B
 24-114G-1B
 24-114H-1B
 24-114I-1B
 24-114J-1B
 24-114K-1B
 24-114L-1B
 24-114M-1B
 24-114N-1B
 24-114O-1B
 24-114P-1B
 24-114Q-1B
 24-114R-1B
 24-114S-1B
 24-114T-1B
 24-114U-1B
 24-114V-1B
 24-114W-1B
 24-114X-1B
 24-114Y-1B
 24-114Z-1B



A/C & HEAT SYSTEM

DESC:	WIRING DIAGRAM		DESS: S.B.	DATE: 89/11
APPL: HS-60	VER. EFF. J009	FOR LOZA	REF: SPECIAL VOYAGEUR RETROFIT	NO: D-060660
DATE: 89/11	REVISION: LANCE	PAR: M/J	APPR: K.C.	24 C



A/C & HEAT SYSTEM

D-060660-1/24

5"
1"

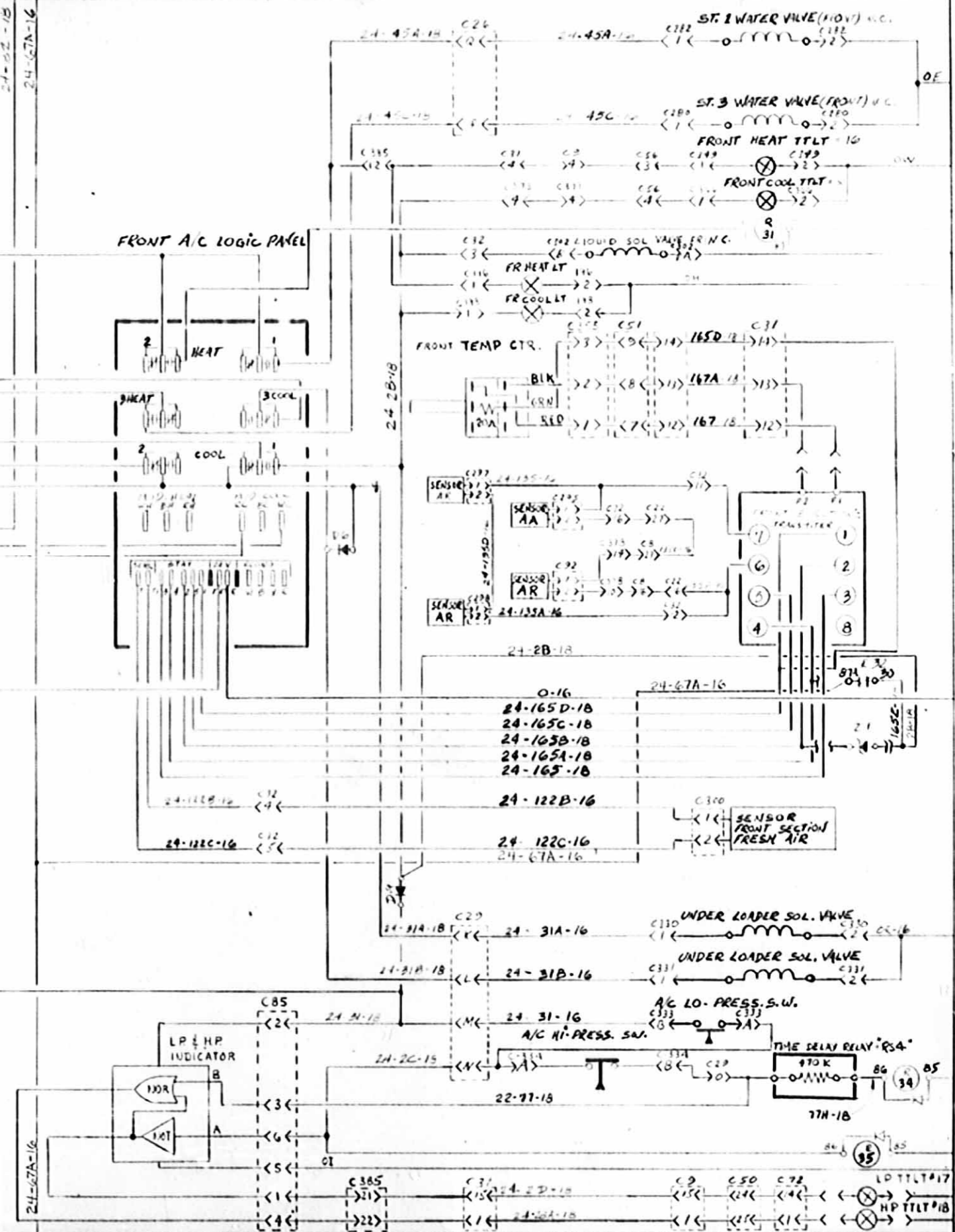
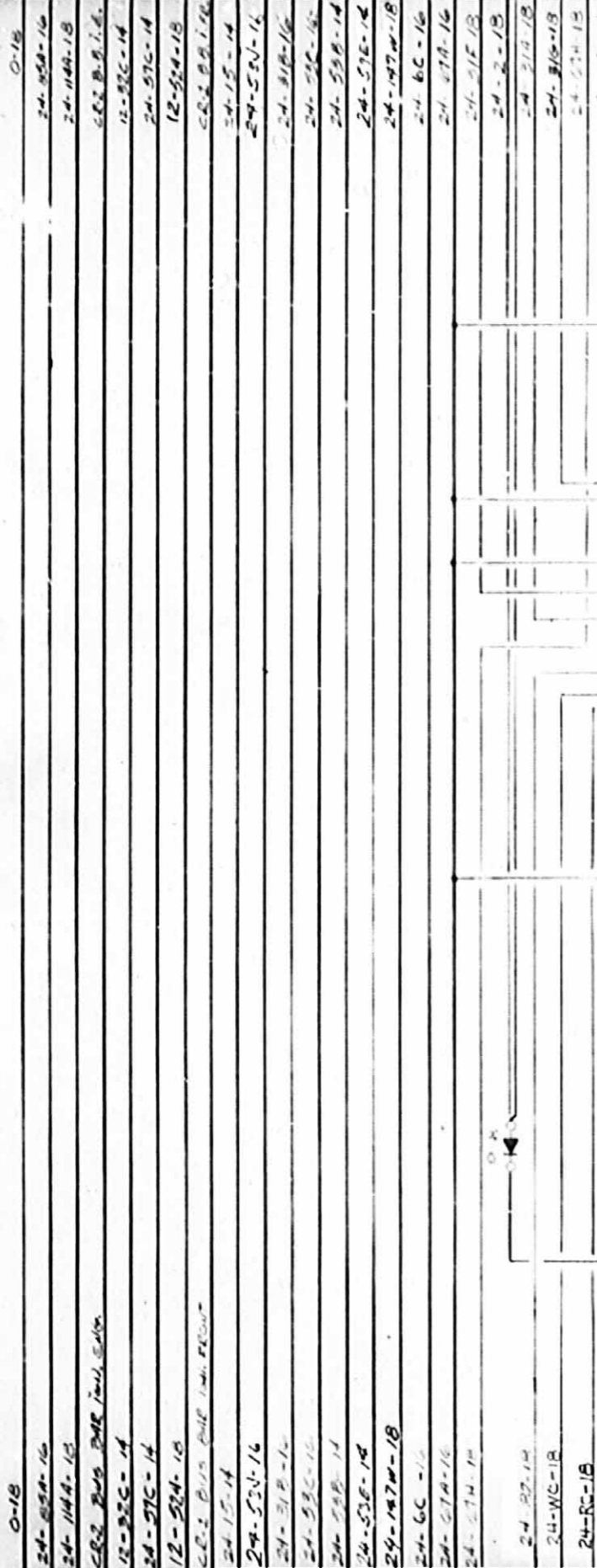
D	12-88	CD 15802	
C	09-88	C.D.# 15247	
B	88-03	Z2 TOURNE DE COTE	
A	88-03	ETAIT /J008	
ITEM	DATE	REVISION	PAR

DESC: WIRING DIAGRAM
 APPL: EFF. W/J009
 REF: H5-60

DESS: D.V.
 VER: Kc
 NO: D-060660 1/24 C

DATE: 88-02
 APPR: [Signature]

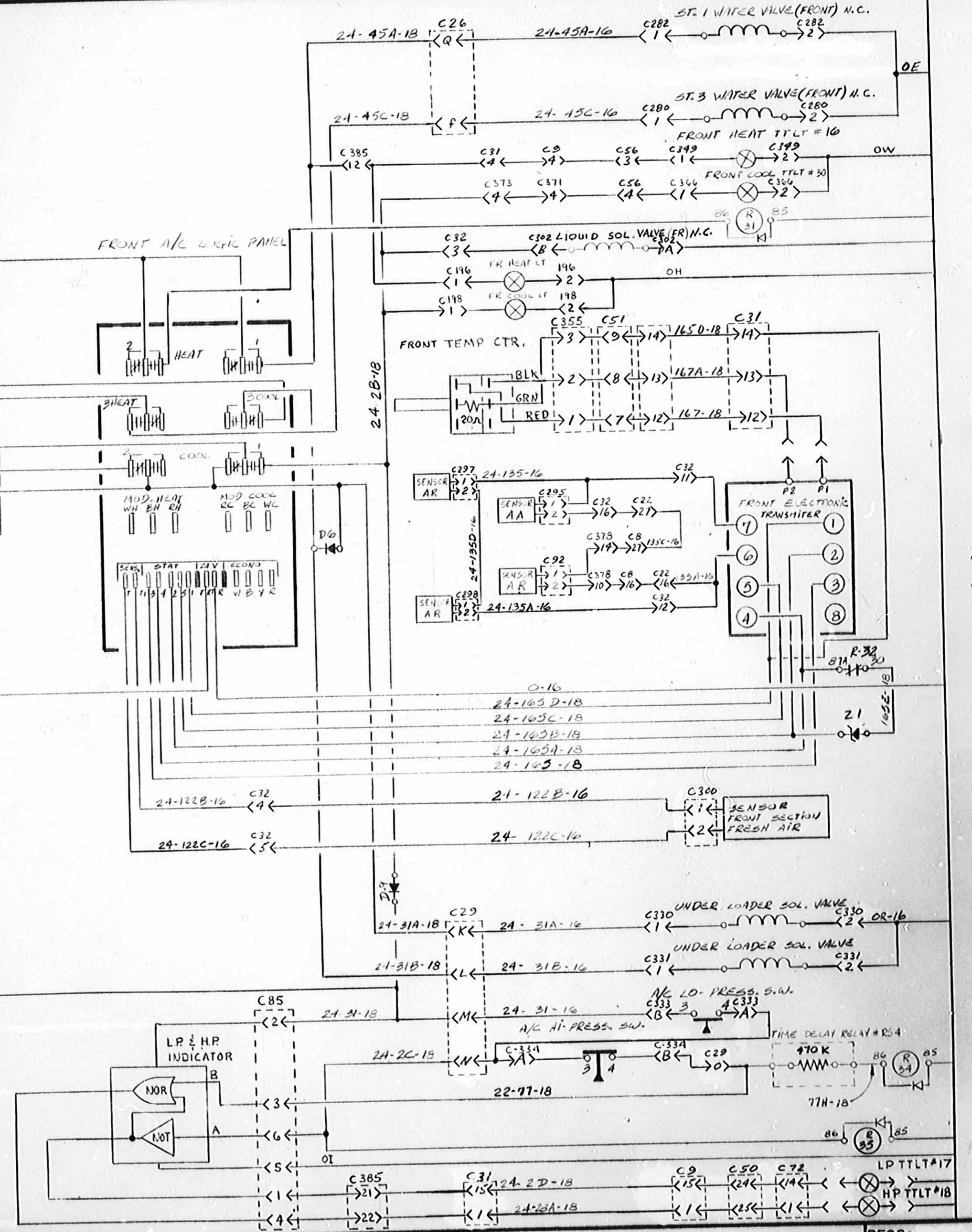
- 12 V CENTRAL
- 24 V CENTRAL
- 12 V ENGINE
- 24 V ENGINE
- 12 V FRONT
- 24 V FRONT
- 12 V HOT WIRE FRONT
- 24 V HOT WIRE FRONT
- 0-18
- 24-85A-16
- 24-148-18
- C82 BUB BAR (incl. 500)
- 12-87C-14
- 24-87C-14
- 12-87A-18
- C82 BUB BAR (incl. 500)
- 24-15-14
- 24-52V-16
- 24-31B-16
- 24-53C-16
- 24-53B-14
- 24-53E-14
- 24-147M-18
- 24-6C-16
- 24-67A-16
- 24-67H-14
- 24-97-14
- 24-WC-18
- 24-R-18
- 24-67A-16
- 24-2C-15
- 22-97-18
- 24-2D-18
- 24-2E-18
- 24-2F-18
- 24-2-18
- 24-21A-18
- 24-31A-18
- 24-31B-18
- 24-32-18
- 24-67A-16



A/C & HEAT SYSTEM

12 V CENTRAL		DESC: WIRING DIAGRAM		DESS: S.B.	DATE: 89/11
24 V CENTRAL				VER: KC	APPR: [Signature]
12 V ENGINE					
24 V ENGINE					
12 V FRONT					
24 V FRONT					
12 V HOT WIRE FRONT					
24 V HOT WIRE FRONT					
0-18					
24-85A-16					
24-148-18					
C82 BUB BAR (incl. 500)					
12-87C-14					
24-87C-14					
12-87A-18					
C82 BUB BAR (incl. 500)					
24-15-14					
24-52V-16					
24-31B-16					
24-53C-16					
24-53B-14					
24-53E-14					
24-147M-18					
24-6C-16					
24-67A-16					
24-67H-14					
24-97-14					
24-WC-18					
24-R-18					
24-67A-16					
24-2C-15					
22-97-18					
24-2D-18					
24-2E-18					
24-2F-18					
24-2-18					
24-21A-18					
24-31A-18					
24-31B-18					
24-32-18					
24-67A-16					
A 89/11		LANCE		SB PAR	
ITEM DATE		REVISION		APPL: 115-60 VER. EFF. J009 P105 TO L055	
				REF: SPECIAL VOYAGEUR RETROFIT	
				NO: D-060660 12/24 C	

12 V CENTRAL	24-103D-18
24 V CENTRAL	24-103C-18
12 V ENGINE	24-103B-18
24 V ENGINE	24-103A-18
12 V FRONT	24-145-18
24 V FRONT	24-122B-16
12 V HOT WIRE FRONT	24-122C-16
24 V HOT WIRE FRONT	24-122A-16
0-18	24-122B-16
24-95A-16	24-122C-16
24-114A-18	24-122B-16
CR-2 BUS BAR 10W. ENG.	24-122C-16
12-32C-14	24-122B-16
24-57C-14	24-122C-16
12-52A-18	24-122B-16
CR-2 BUS BAR 13W. FRONT	24-122C-16
24-15-14	24-122B-16
24-53V-16	24-122C-16
24-31B-16	24-122B-16
24-53C-16	24-122C-16
24-53B-14	24-122B-16
24-53E-14	24-122C-16
24-147W-18	24-122B-16
24-6C-16	24-122C-16
24-67A-16	24-122B-16
24-67H-18	24-122C-16
24-2-18	24-122B-16
24-31A-18	24-122C-16
24-31S-18	24-122B-16
24-67H-18	24-122C-16
24-62-18	24-122B-16



A/C & HEAT SYSTEM

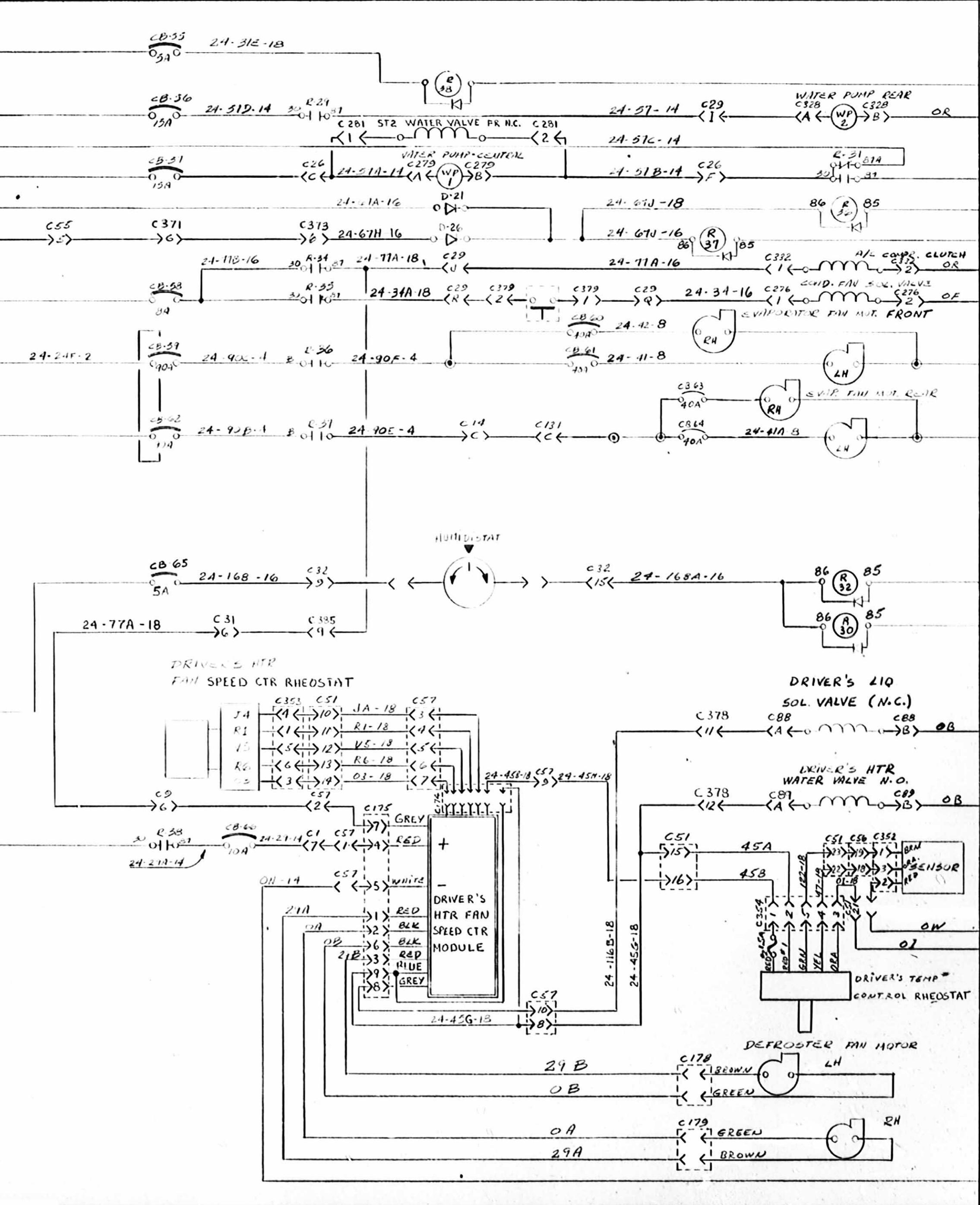
ITEM	DATE	REVISION	PAR	DESC:	REF:	DESS:	DATE
C	09-88	C.I.D. # 15248	B.C.	WIRING DIAGRAM	H5-60	D.V.	88-02
B	88-03	Z-1 TOURNER DE COTE	MZ			XC	
A	88-03	ETAIT 1000B	B.C.				
				APPL: EFF. W/J009			
							NO: D-060660 12/24 C

8.5"
11"
17"

124

- 12V CENTRAL
- 24V CENTRAL
- 12V ENGINE
- 24V ENGINE
- BUS BAR (LAMP)
- 12V FRONT
- 12V H. W. FE.
- 24V H. W. FE.
- O-1B
- 24-85A-16
- 24-14A-18
- CR-2 B.B.E.
- 12-32C-14
- 24-57C-14
- 12-52A-18
- CR-1 B.B.I.F.R.
- 24-15-14
- 24-55J-16
- 24-31B-16
- 24-33C-16
- 24-53B-14
- 24-53E-14
- 24-147W-18
- 24-6-C-16
- 24-67A-16
- 24-67H-16
- 24-82-18

- 12V CENTRAL
- 24V CENTRAL
- 12V ENGINE
- 24V ENGINE
- 12V FRONT
- 12V NOT WIRE
- 24V NOT WIRE
- O-1B
- 24-85A-16
- 24-14A-18
- CR-2 BUS BAR IGN. - MS.
- 12-32C-14
- 12-52A-18
- CR-1 BUS BAR IGN. FRONT
- 24-15-14
- 24-53J-16
- 24-31B-16
- 24-33C-16
- 24-53B-14
- 24-53E-14
- 24-147W-18
- 24-6-C-16
- 24-82-18



A/C & HEAT SYSTEM

LEGEND

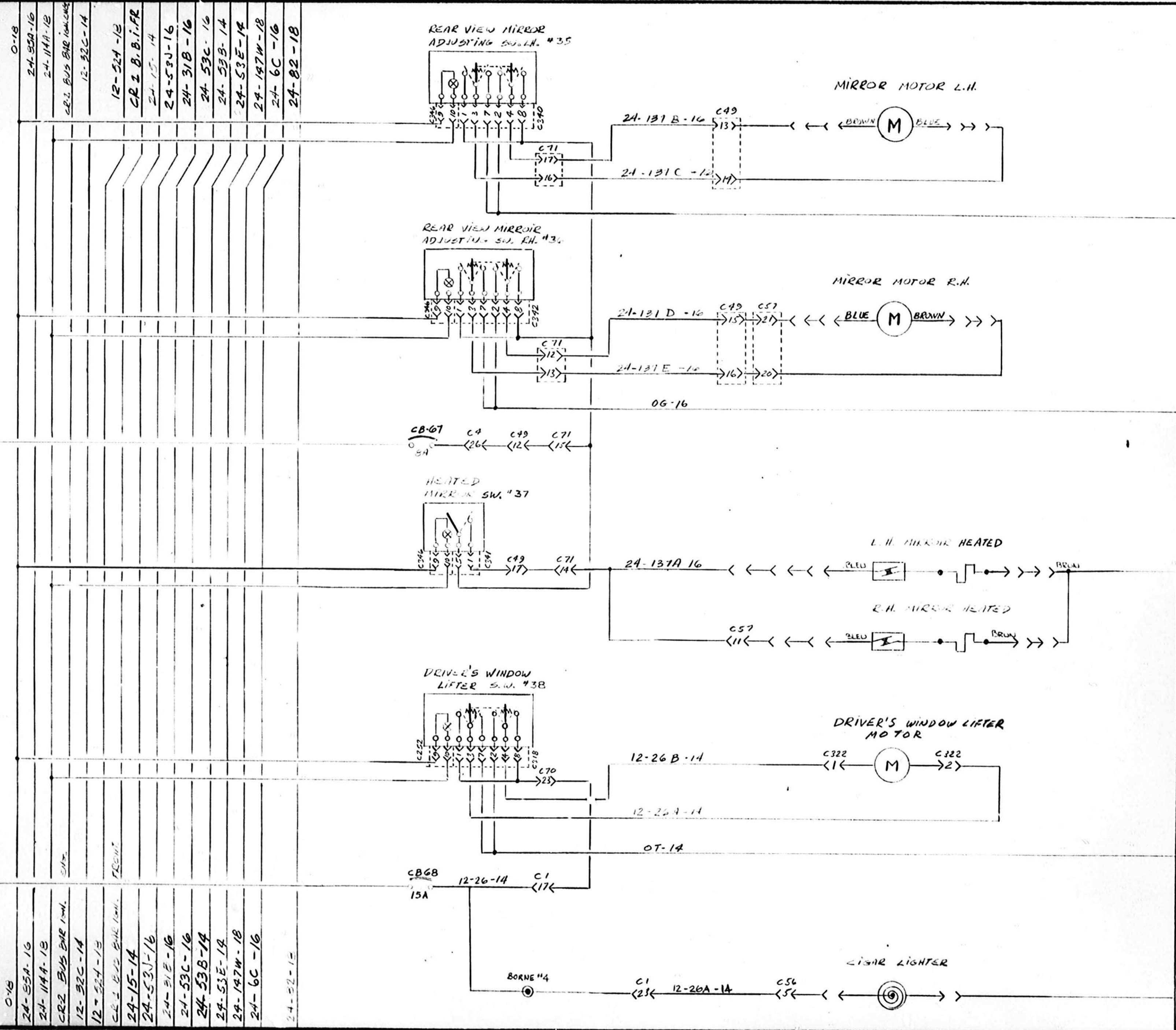
1	2	3	4
5	6	7	8
9	10	11	12
13	14	15	16
17	18	19	20
21	22	23	24
25	26	27	28
29	30	31	32
33	34	35	36
37	38	39	40
41	42	43	44
45	46	47	48
49	50	51	52
53	54	55	56
57	58	59	60
61	62	63	64
65	66	67	68
69	70	71	72
73	74	75	76
77	78	79	80
81	82	83	84
85	86	87	88
89	90	91	92
93	94	95	96
97	98	99	100

ITEM	DATE	REVISION	PAR
C	88-05	CB65 ETAIT BA	MJ
B	88-05	MISE A JOUR	BC
A	88-03	ETAIT / 0008	

DESC :	WIRING DIAGRAM
APPL:	EFF. W/0009
REF:	H5-60

DESS:	D.V.	DATE-	88-02
VER.-		APPR.-	
NO:	D-060660		1 3/4 C

- 12V CENTRAL
- 24V CENTRAL
- 12V ENGINE
- 24V ENGINE
- 12V FRONT
- 24V FRONT
- 12V HOT WIRE FRONT
- 24V HOT WIRE FRONT
- 0-18
- 24-55A-16
- 24-114A-12
- CR-1 BUS BAR 10W/10W
- 12-32C-14
- 12-52A-12
- CR-1 B.B.I.FR
- 24-15-14
- 24-53J-16
- 24-31B-16
- 24-53C-16
- 24-53B-14
- 24-53E-14
- 24-147W-18
- 24-6C-16
- 24-82-18
- 0-18
- 24-55A-16
- 24-114A-12
- CR-2 BUS BAR 10W/10W
- 12-32C-14
- 12-52A-12
- CR-1 B.B.I.FR
- 24-15-14
- 24-53J-16
- 24-31E-16
- 24-53C-16
- 24-53B-14
- 24-53E-14
- 24-147W-18
- 24-6C-16
- 24-82-18
- 0-18
- 24-55A-16
- 24-114A-12
- CR-2 BUS BAR 10W/10W
- 12-32C-14
- 12-52A-12
- CR-1 B.B.I.FR
- 24-15-14
- 24-53J-16
- 24-31E-16
- 24-53C-16
- 24-53B-14
- 24-53E-14
- 24-147W-18
- 24-6C-16
- 24-82-18



REAR VIEW MIRROR

HEATED MIRROR

DRIVER'S WINDOW

CIGAR LIGHTER

LEGEND

- FRONT JUNCTION PANEL
- REAR JUNCTION PANEL
- BATTERY COMPARTMENT
- CIRCUIT BREAKER
- WIRING CONNECTOR
- BATTERY JUNCTION BLOCK
- SINGLE CONNECTOR
- DIODE (RECTIFIER)
- OPTION

THIS DOCUMENT IS THE PROPERTY OF THE U.S. GOVERNMENT AND IS TO BE REPRODUCED AND TRANSMITTED IN ANY FORM AND BY ANY MEANS, ELECTRONIC OR MECHANICAL, INCLUDING PHOTOCOPYING, RECORDING, OR BY ANY INFORMATION STORAGE AND RETRIEVAL SYSTEM, WITHOUT PERMISSION IN WRITING FROM THE U.S. GOVERNMENT.

ITEM	DATE	REVISION	PAR
A	88-03	ETAIT 1/008	B.C.

DESC: WIRING DIAGRAM H5-60

APPL: EFF. W/3009

REF: H5-60

DESS: D.V.

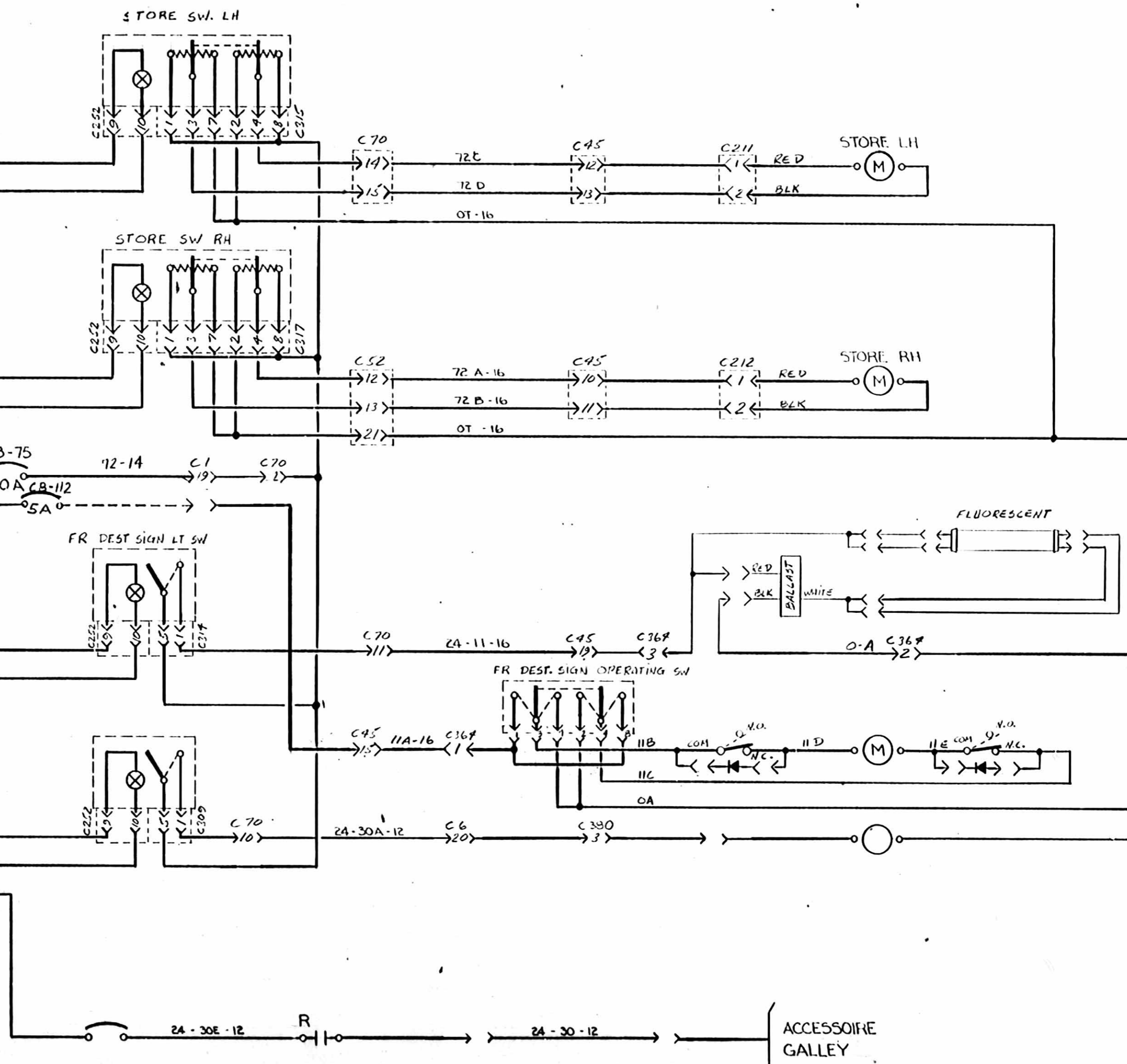
DATE: 88-02

VER: -

APPR: -

NO: D-060660 14/24 C

12 V CENT	12 V CENT
24 V CENT	24 V CENT
12 V ENGINE	12 V ENGINE
24 V ENGINE	24 V ENGINE
12 V FRONT	12 V FRONT
24 V FRONT	24 V FRONT
12 V HOT WIRE FRONT	12 V HOT WIRE FRONT
24 V HOT WIRE FRONT	24 V HOT WIRE FRONT
0-18	0-18
24-85A-16	24-85A-16
24-114A-18	24-114A-18
CR-2 BUS BAR IGN. ENG.	CR-2 BUS BAR IGN. ENG.
12-32C-14	12-32C-14
524-18	524-18
CR-1 BUS BAR IGN. FR.	CR-1 BUS BAR IGN. FR.
24-15-14	24-15-14
24-53J-16	24-53J-16
24-31B-16	24-31B-16
24-53C-16	24-53C-16
24-53B-14	24-53B-14
24-53E-14	24-53E-14
24-53E-14	24-53E-14
24-147W-18	24-147W-18
24-6C-18	24-6C-18
24-82-18	24-82-18
24-82-18	24-82-18
24-85A-16	24-85A-16
24-114A-18	24-114A-18
CR-2 BUS BAR IGN. ENG.	CR-2 BUS BAR IGN. ENG.
12-32C-14	12-32C-14
524-18	524-18
CR-1 BUS BAR IGN. FRONT	CR-1 BUS BAR IGN. FRONT
24-15-14	24-15-14
24-53J-16	24-53J-16
24-31B-16	24-31B-16
24-53C-16	24-53C-16
24-53B-14	24-53B-14
24-53E-14	24-53E-14
24-53E-14	24-53E-14
24-147W-18	24-147W-18
24-6C-16	24-6C-16
24-82-18	24-82-18



STORE

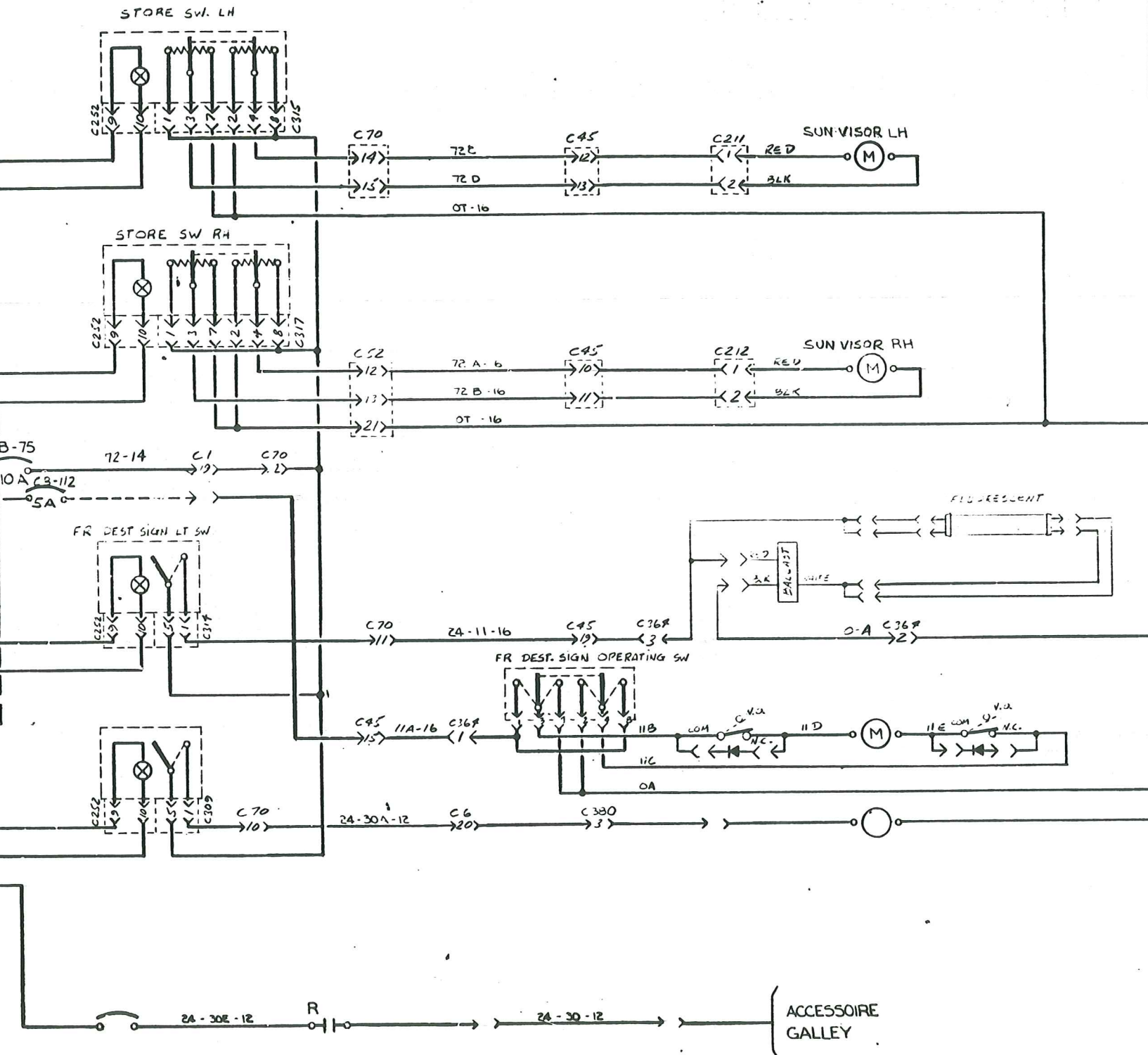
FRONT DESTINATION SIGN

OPTION GALLEY

<p>12 V CENT</p> <p>24 V CENT</p> <p>12 V ENGINE</p> <p>24 V ENGINE</p> <p>12 V FRONT</p> <p>24 V FRONT</p> <p>12 V HOT WIRE FRONT</p> <p>24 V HOT WIRE FRONT</p> <p>0-18</p> <p>24-85A-16</p> <p>24-114A-18</p> <p>CR-2 BUS BAR IGN. ENG.</p> <p>12-32C-14</p> <p>524-18</p> <p>CR-1 BUS BAR IGN. FRONT</p> <p>24-15-14</p> <p>24-53J-16</p> <p>24-31B-16</p> <p>24-53C-16</p> <p>24-53B-14</p> <p>24-53E-14</p> <p>24-53E-14</p> <p>24-147W-18</p> <p>24-6C-16</p> <p>24-82-18</p>	<p>12 V CENT</p> <p>24 V CENT</p> <p>12 V ENGINE</p> <p>24 V ENGINE</p> <p>12 V FRONT</p> <p>24 V FRONT</p> <p>12 V HOT WIRE FRONT</p> <p>24 V HOT WIRE FRONT</p> <p>0-18</p> <p>24-85A-16</p> <p>24-114A-18</p> <p>CR-2 BUS BAR IGN. ENG.</p> <p>12-32C-14</p> <p>524-18</p> <p>CR-1 BUS BAR IGN. FRONT</p> <p>24-15-14</p> <p>24-53J-16</p> <p>24-31B-16</p> <p>24-53C-16</p> <p>24-53B-14</p> <p>24-53E-14</p> <p>24-53E-14</p> <p>24-147W-18</p> <p>24-6C-16</p> <p>24-82-18</p>	<p>DESC: WIRING DIAGRAM H5-60</p> <p>APPL: EFF. W/009</p> <p>REF: H5-60</p>	<p>DESS: D.V.</p> <p>VER.-</p> <p>NO: D-060660</p>	<p>DATE- 88-02</p> <p>APPR.-</p> <p>15/24 C</p>
--	--	---	--	---



12 V CENT
24 V CENT
12 V ENGINE
24 V ENGINE
12 V FRONT
24 V FRONT
12 V HOT WIRE FRONT
24 V HOT WIRE FRONT
0-18
24-55A-16
24-114A-18
CR-2 BUS BAR IGN. ENG.
12-32C-14
524-18
CR-1 BUS BAR IGN. FR.
24-15-14
24-53J-16
24-31B-16
24-53C-16
24-53B-14
24-53E-18
24-147W-18
24-6C-18
24-82-18



SUN VISOR

FRONT DESTINATION SIGN

OPTION GALLEY

ACCESSOIRE GALLEY

LEGEND BATTERY JUNCTION BLOCK SINGLE CONNECTOR RELAY (RECTIFIER) OPTION		DESC: WIRING DIAGRAM APPL: EFF. W/1009 PRIOR L034 REF: HS-60		DESS: D.V. VER: LC NO: D-060660	DATE: 88-02 APPR: 1 1/2 C
B 9/10 A 38-03 ITEM DATE REVISION	SUN VISOR ETAT STORE ETAT 1008	M B.C. PAR			

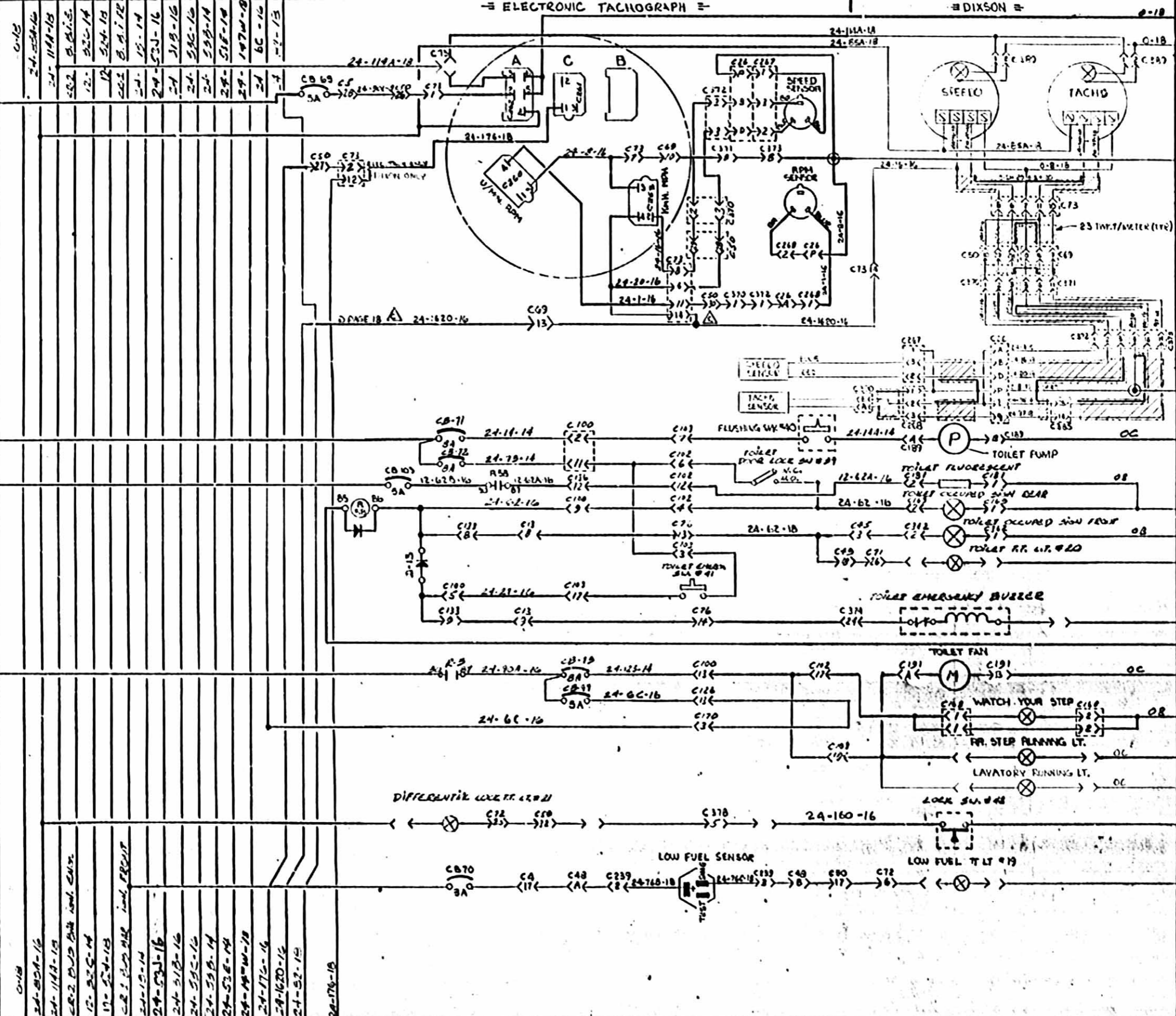
27/5/88
 0.00000

8.5" 11" 8.5" 11"

11 8.5 11

12V CENTRAL
24V CENTRAL
12V ENGINE
24V ENGINE
12V FRONT
24V FRONT
12V HOT WIRE FRONT
24V HOT WIRE FRONT

12V CENTRAL
24V CENTRAL
12V ENGINE
24V ENGINE
12V FRONT
24V FRONT
12V HOT WIRE FRONT
24V HOT WIRE FRONT



VDO
TACHOGRAPH
OR
DIXSON
SPEED/TACHO

TOILET

DIFFERENTIAL
LOCK

LOW FUEL

LEGEND

FRONT JUNCTION PANEL	BATTERY JUNCTION BLOCK
REAR JUNCTION PANEL	SWAGLE CONNECTOR
BATTERY COMPARTMENT	DIODE (RECTIFIER)
CIRCUIT BREAKER	OPTION
WAGNESS CONNECTOR	

ITEM	DATE	REVISION	PAR
B	9/1/02	MISE A JOUR	MJ
A	8/8/00	LAKE OC # 88165	MJ

DESC: WIRING DIAGRAM

APPLIEFF. W/ KOZO PRIOR L033 REF: HS-60

DESS: D.V. DATE: 88-02

VER: C APPR: [Signature]

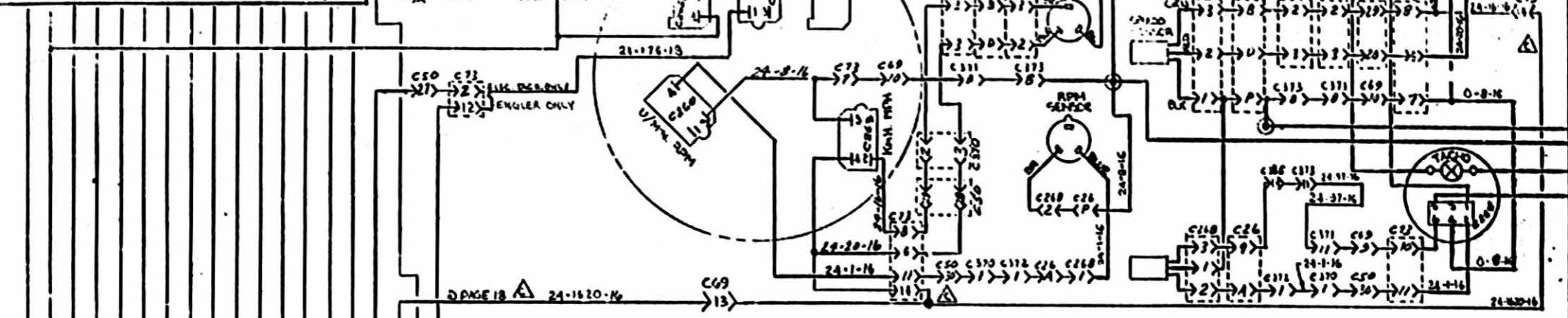
NOI D-060660 16/24 C

12V CENTRAL
 24V CENTRAL
 12V ENGINE
 24V ENGINE
 12V FRONT
 24V FRONT
 12V HOT WIRE #1
 24V HOT WIRE #2

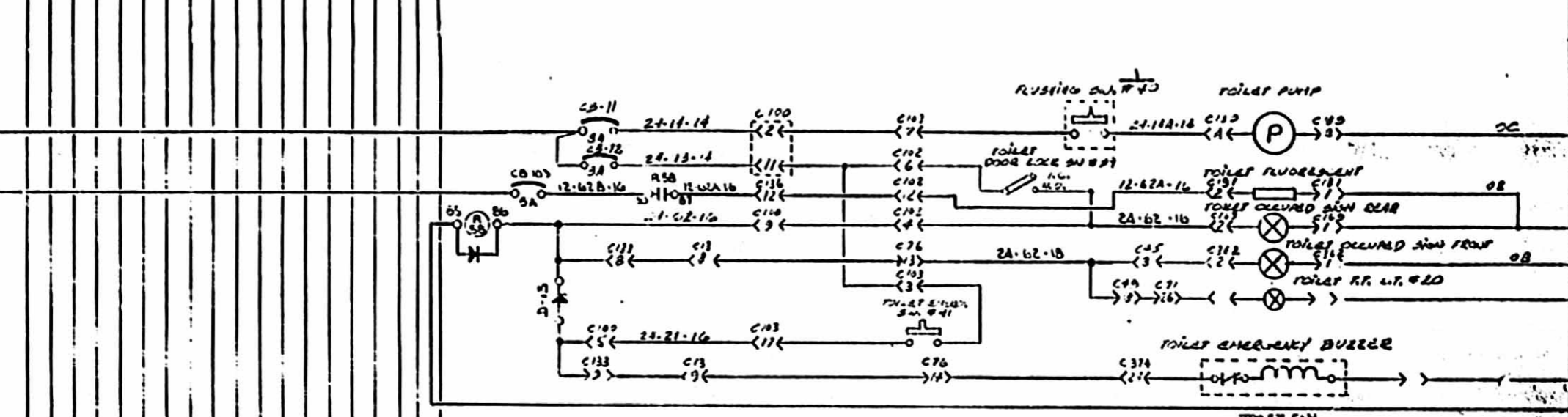
0-13
 24-35A-16
 24-11A-13
 24-11A-13
 12-23C-14
 12-23C-14
 24-15-14
 24-15-14
 24-53J-16
 24-53J-16
 24-53C-16
 24-53B-14
 24-53B-14
 24-147W-18
 24-6C-16
 24-62-1B

ELECTRICAL TACHOGRAPH

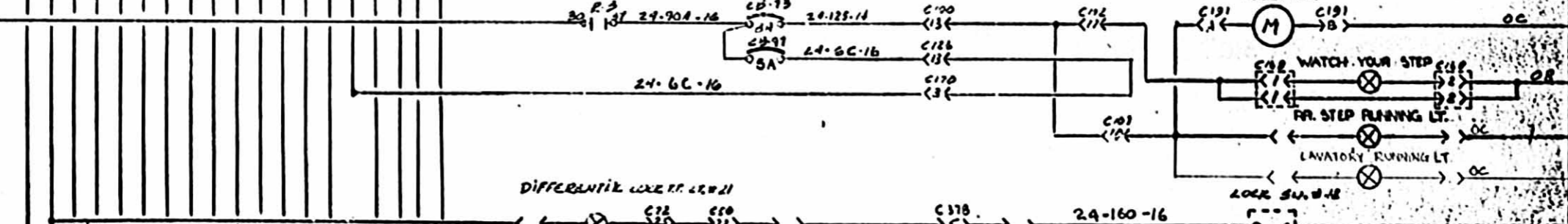
ENGLER



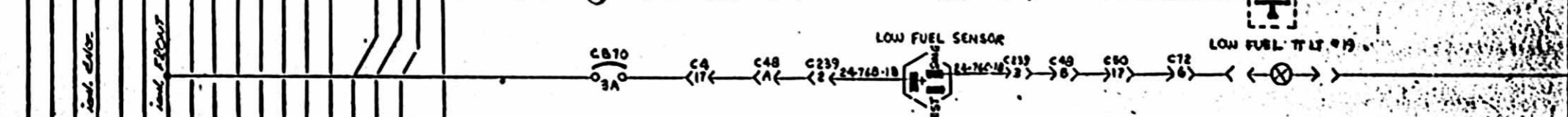
TACHOGRAPH OR ENGLER



TOILET



DIFFERENTIAL LOCK



LOW FUEL

12V CENTRAL
 24V CENTRAL
 12V ENGINE
 24V ENGINE
 12V FRONT
 24V FRONT
 12V HOT WIRE FRONT
 24V HOT WIRE FRONT

0-13
 24-35A-16
 24-11A-13
 24-11A-13
 12-23C-14
 12-23C-14
 24-15-14
 24-15-14
 24-53J-16
 24-53J-16
 24-53C-16
 24-53B-14
 24-53B-14
 24-147W-18
 24-6C-16
 24-62-1B
 24-176-18

ITEM	DATE	REVISION	PAR
E	91-02	MISE A JOUR	MJ
D	88-07	CD 15487	MZ
C	88-05	MISE A JOUR	MZ
B	88-05	MISE A JOUR	BC
A	88-03	ETAIT / JOO9	BC

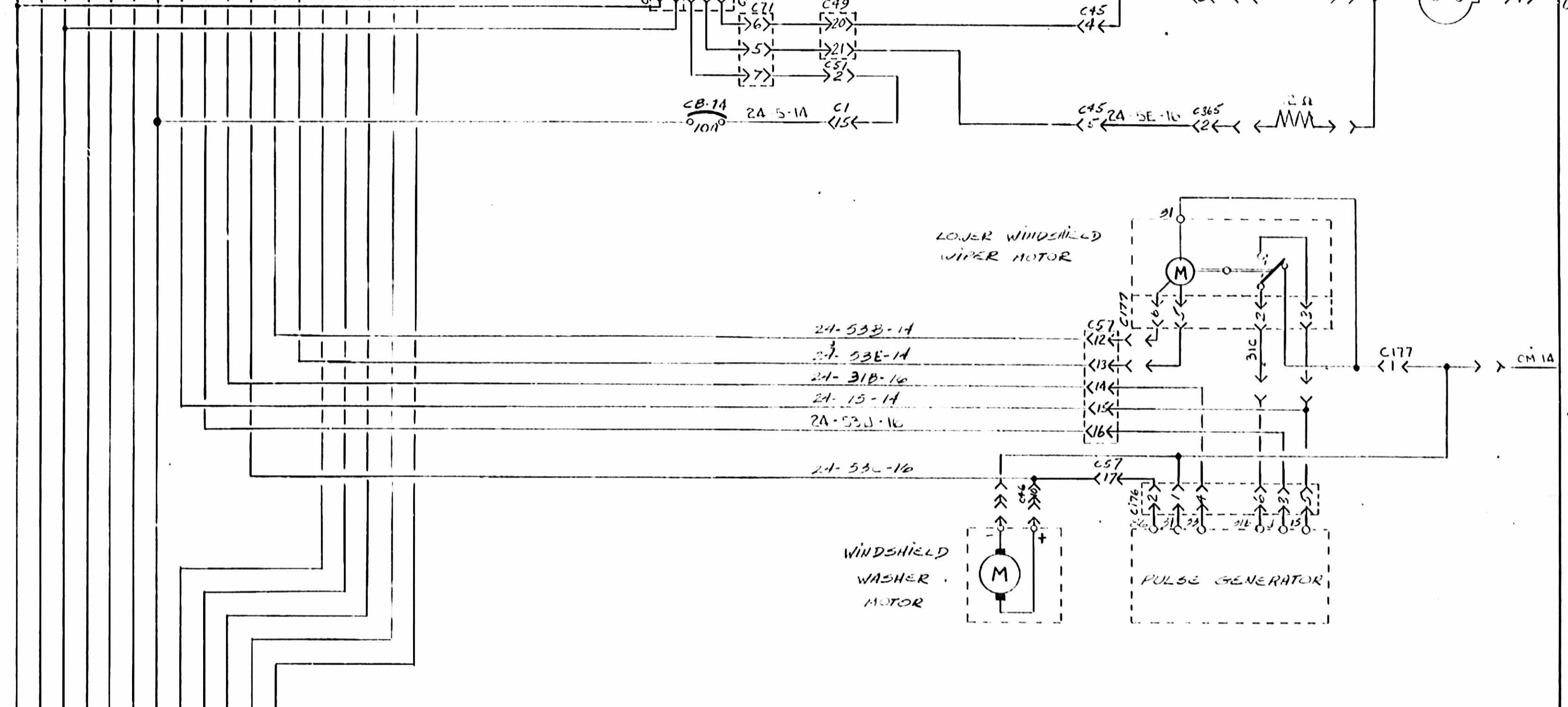
DESC: WIRING DIAGRAM
 APPLIEFF. W/JOO9
 PRINCE LO33
 REF. HS-60

CESSY D.V.
 DATE: 88-02
 VER: [Signature]
 NOFD-060660



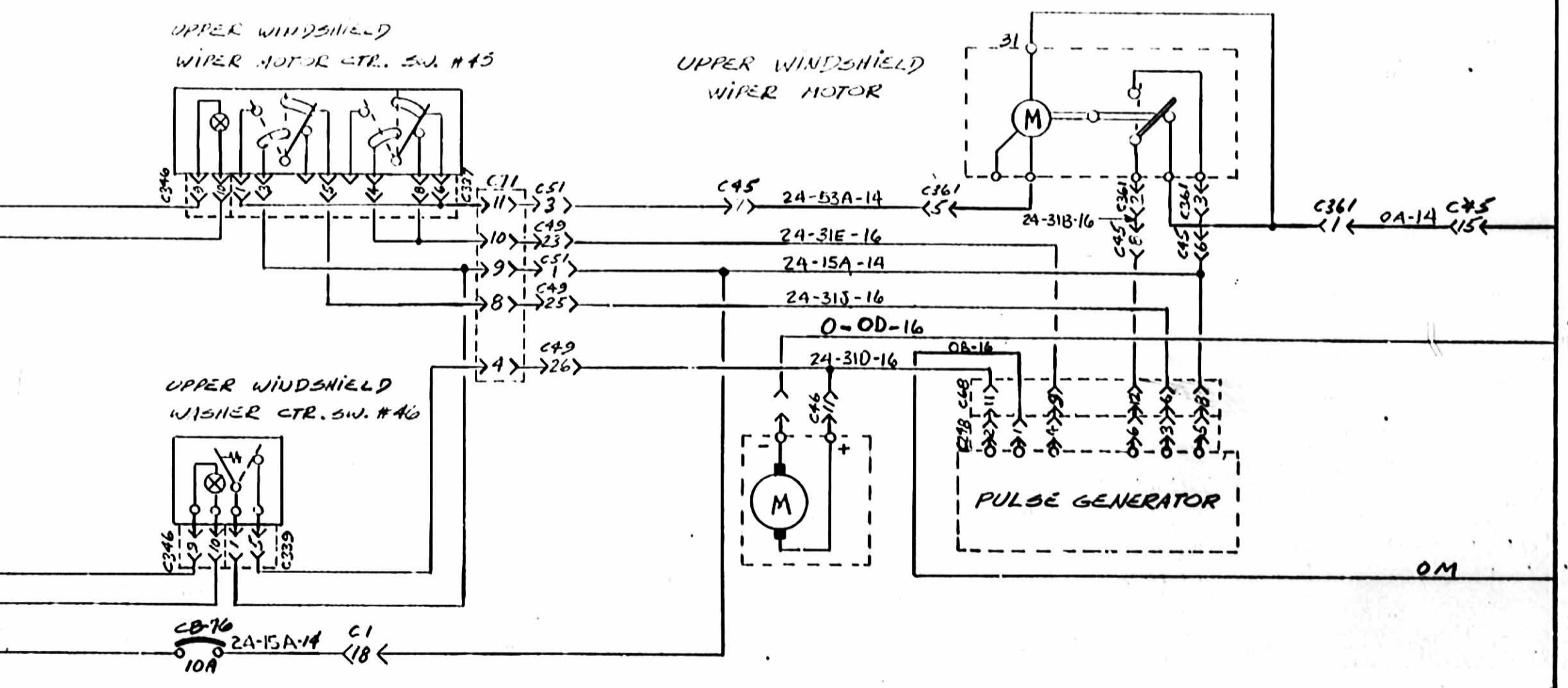
- 12V CENTRAL
- 24V CENTRAL
- 12V ENGINE
- 24V ENGINE
- 12V FRONT
- 24V FRONT
- 12V HOT WIRE FR.
- 24V HOT WIRE FR.

- C-18
- 24-85A-16
- 24-114A-18
- CR-2 B.B.I.E.
- 12-32C-14
- 12-52A-18
- CR-1 B.B.I.FR.
- 24-15-14
- 24-53J-16
- 24-31B-16
- 24-53E-16
- 24-53B-14
- 24-53E-14
- 24-197W-18
- 24-176-16
- 24-1620-16
- 24-82-15
- 24-176-18



UPPER WINDSHIELD DEFROST

- C-18
- 24-85A-16
- 24-114A-18
- CR-2 B.B.I.E. IGN. ENG.
- 12-32C-14
- 12-52A-18
- CR-1 B.B.I.E. IGN. FRONT
- 24-147W-18
- 24-176-16
- 24-1620-16
- 24-82-15
- 24-176-18



LOWER WINDSHIELD WIPER & WASHER

UPPER WINDSHIELD WIPER & WASHER

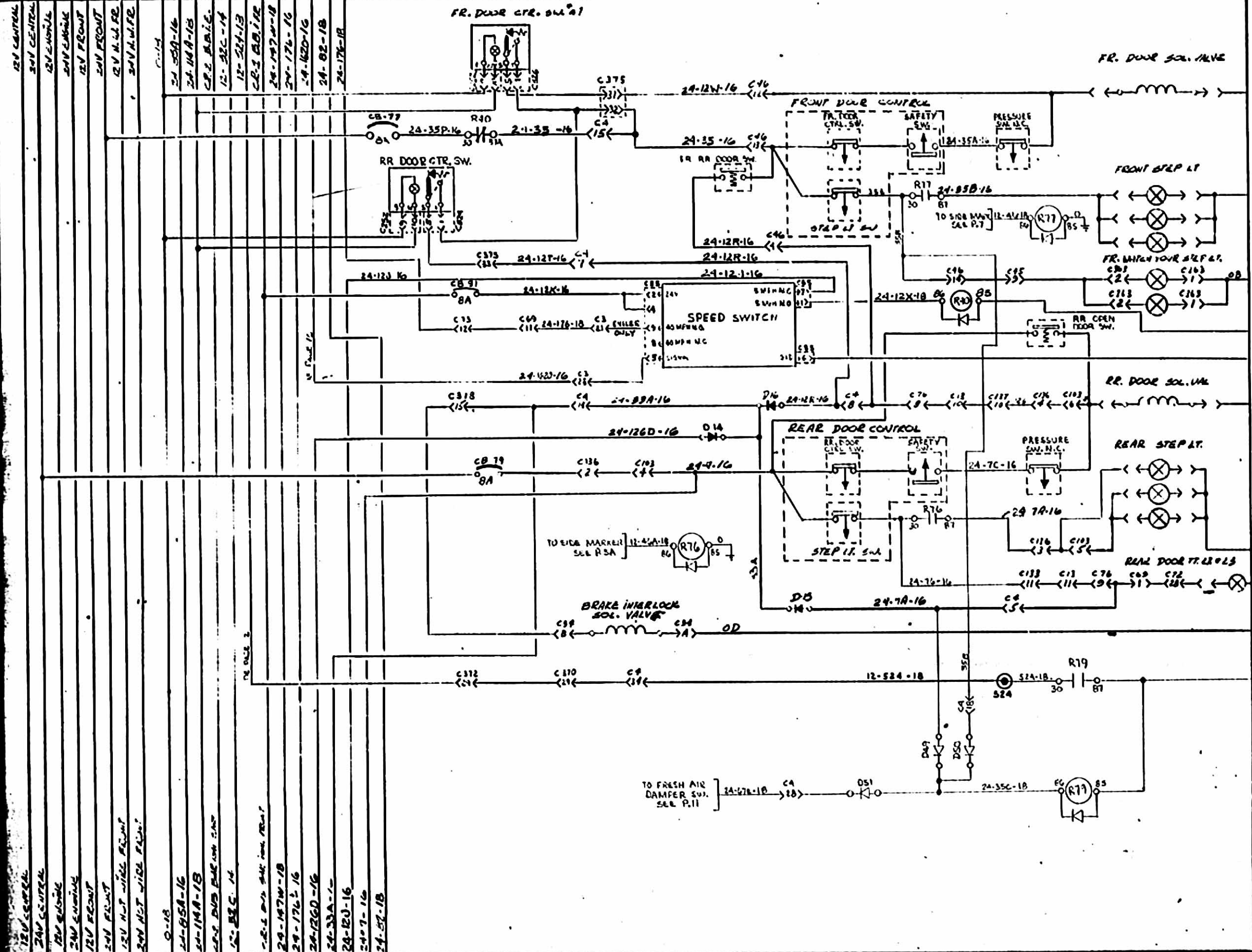
- 12V CENTRAL
- 24V CENTRAL
- 12V ENGINE
- 24V ENGINE
- 12V FRONT
- 24V FRONT
- 12V HOT WIRE FRONT
- 24V HOT WIRE FRONT

- C-18
- 24-85A-16
- 24-114A-18
- CR-2 B.B.I.E. IGN. ENG.
- 12-32C-14
- 12-52A-18
- CR-1 B.B.I.E. IGN. FRONT
- 24-147W-18
- 24-176-16
- 24-1620-16
- 24-82-15
- 24-176-18

ITEM	DATE	REVISION	PAR
C	88-05	FIL 24-176-18 AJOUTÉ	MJ
B	88-05	MISE A JOUR	MJ
A	88-03	ETAIT / JOOB	BC

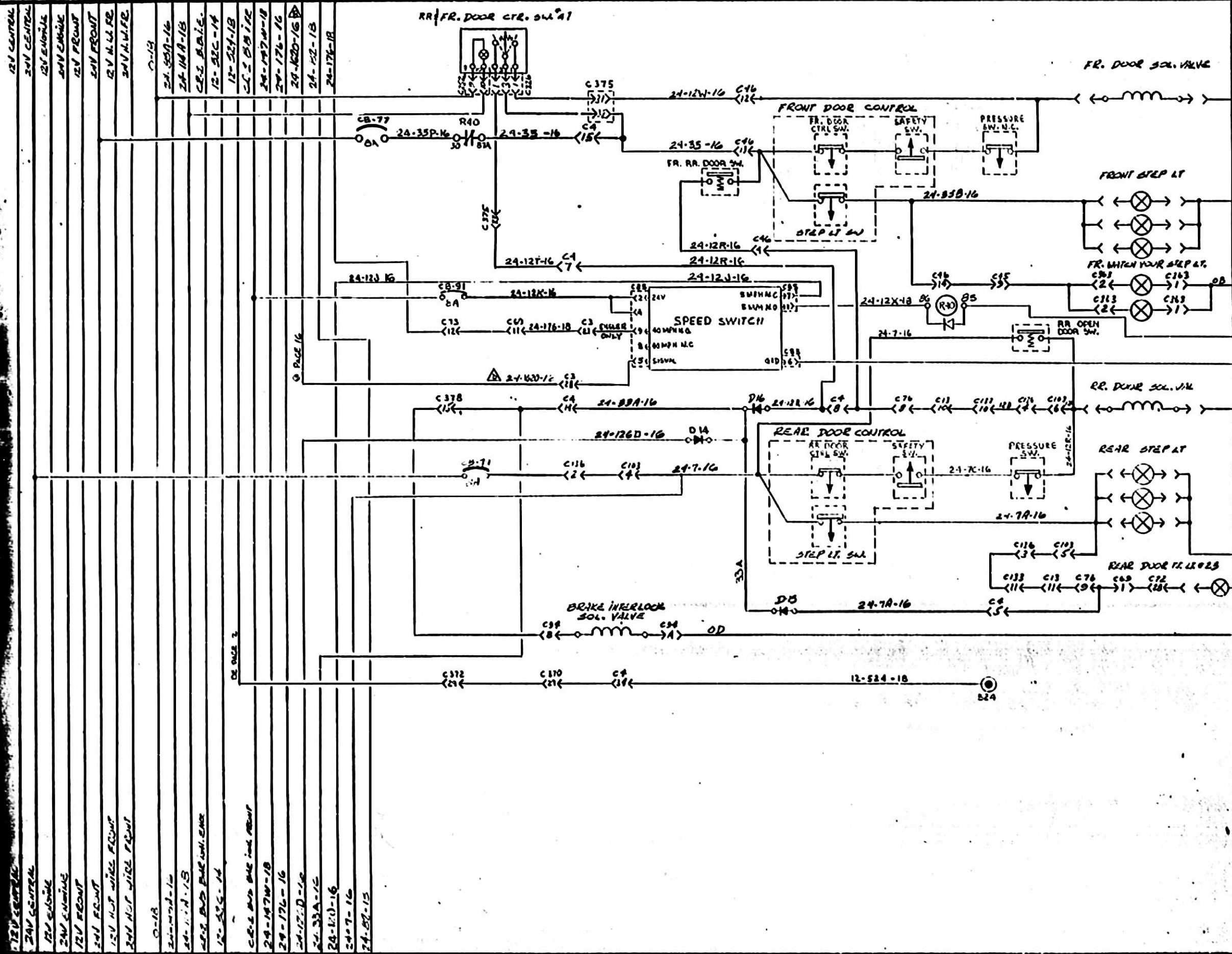
DESC : WIRING DIAGRAM
 APPL: EFF. W/JOOB
 REF: HS-60

DESS: D.V.
 VER: *[Signature]*
 DATE: 88-02
 NO: D-060660 17/24



REAR & FRONT
DOOR CONTROL

<p>THIS CONTROL PANEL IS THE PROPERTY OF THE AIR FORCE AND IS TO BE RETURNED TO THE ISSUING OFFICE WHEN NO LONGER REQUIRED</p>	<p>ENTER DATE AND NAME OF PERSON WHOSE NAME IS ENTERED</p>	92-11	R76, R77 & R79 ADJUSTS.	MV	<p>DESC: WIRING DIAGRAM SPECIAL VOYAGEUR</p>	DESK: M1	DATE: 89/10
		90-08	C.D. # 19807	DY		VER: <i>[Signature]</i>	
		1A 89/10	LANGE	MZ		NO. D-060660 184/24	
ITEM	DATE	REVISION	PAR	APPL: EFF. W/1009 PRIOR L034	REF: HS-60		

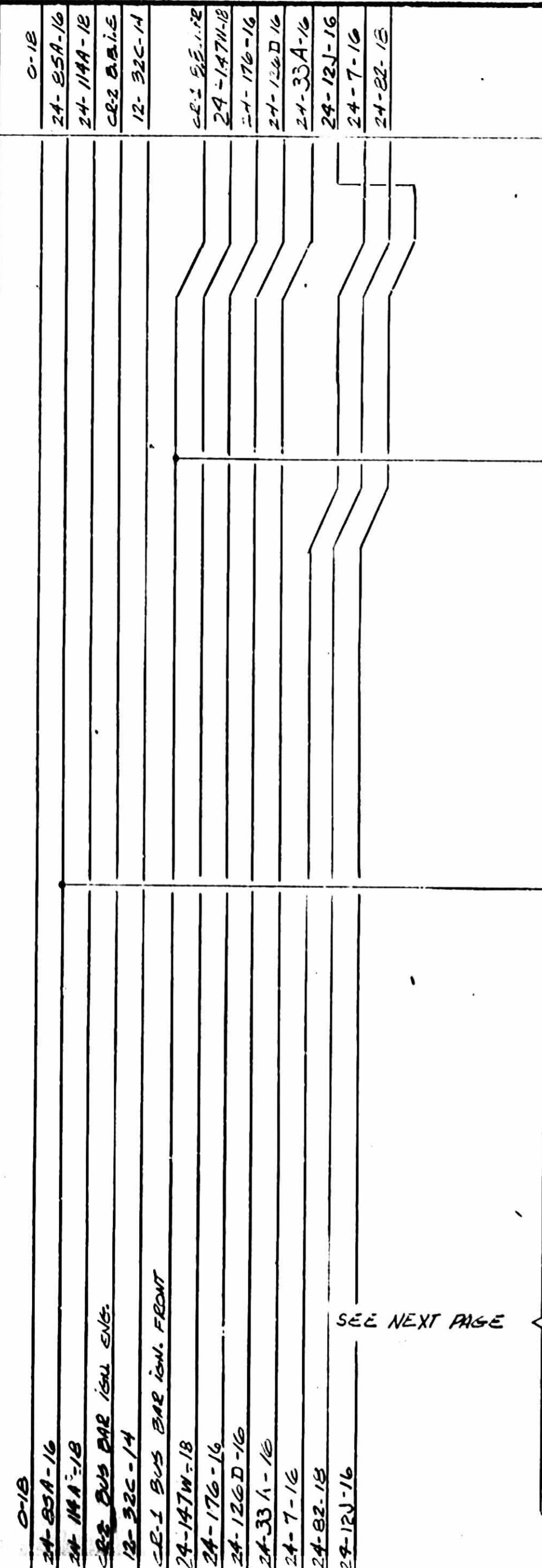


- 12V CENTRAL
- 24V CENTRAL
- 12V SIGNAL
- 12V ENGINE
- 12V FRONT
- 12V REAR
- 12V NOT WIRE FRONT
- 12V NOT WIRE REAR
- O-13
- 24-55A-16
- 24-11A-15
- CE-2 B.B.I.C.
- 12-22C-14
- 12-22F-13
- CE-2 B.B.I.C.
- 24-147W-18
- 24-176-16
- 24-120-16
- 24-12-13
- 24-176-18
- O PAGE 1
- O PAGE 2

REVISION		DATE	BY	DESCRIPTION	APP. EFF. W/ 1009	REF: H5-60
D	90-08			C.D. # 19807		
C	88-11			CD# 15700 CC# 88187		
B	88-05			MISE @ JWR		
A	88-03			EFAIT /J008		
				REVISION		

DESI. DT.	88-02
VER.	EC
NO. D-060660	18/24

- 12V CENTRAL
- 24V CENTRAL
- 12V ENGINE
- 24V ENGINE
- 12V FRONT
- 24V FRONT
- 12V HOT WIRE FRONT
- 24V HOT WIRE FRONT
- 0-18
- 24-85A-16
- 24-114A-18
- CR2 BALE
- 12-32C-14
- CE-1 82-18
- 24-147W-18
- 24-176-16
- 24-126D-16
- 24-33A-16
- 24-12J-16
- 24-7-16
- 24-82-18



ANTI-SKID TI. LT. #25

ELECTRIC CABLES WITHOUT MARK : 1 MM² OR 1,5 MM² = AWG 16
 CONNECTING BOX WATER-PROOF
 ELECTRIC FUSE CORRESPONDING TO DIN 72 581 OR CIRCUIT BREAKER

* CONNECTING CABLE TO OPERATE THE SOLENOID CONTROL VALVE 412 195 000 0
 COLOUR : 1 GREEN/YELLOW, 2 BLUE, 3 BROWN

EV : INLET VALVE
 AV : OUTLET VALVE

** OPTION : DRIVE SLIP CONTROL DSC
 MOT : ACTUATOR FOR MOTOR CONTROL
 DSV : ACTUATOR VALVE FOR DIFFERENTIAL-BRAKE.

IF DRIVE SLIP VALVE ARE NOT INSTALLED
 A SHORT (MAX. 1M) WIRE HARNESS SHOULD BE INSTALLED

ELECTRONIC CONTROL UNIT

ANTI-SKID

12V CENTRAL	24V CENTRAL	12V ENGINE	24V ENGINE	12V FRONT	24V FRONT	12V HOT WIRE FRONT	24V HOT WIRE FRONT	0-18	24-85A-16	24-114A-18	CR2 BALE	12-32C-14	CE-1 82-18	24-147W-18	24-176-16	24-126D-16	24-33A-16	24-7-16	24-82-18	24-12J-16
-------------	-------------	------------	------------	-----------	-----------	--------------------	--------------------	------	-----------	------------	----------	-----------	------------	------------	-----------	------------	-----------	---------	----------	-----------

ITEM	DATE	REVISION
B	88-06	24-6C-16 enleve
A	88-03	ETIT 1/008

DESC :	WIRING DIAGRAM
APPL:	EFF. W/009
REF:	H5-60

DESS:	D.T.	88-02
VER:	1.0	
REF:	D-060660	19/24 C

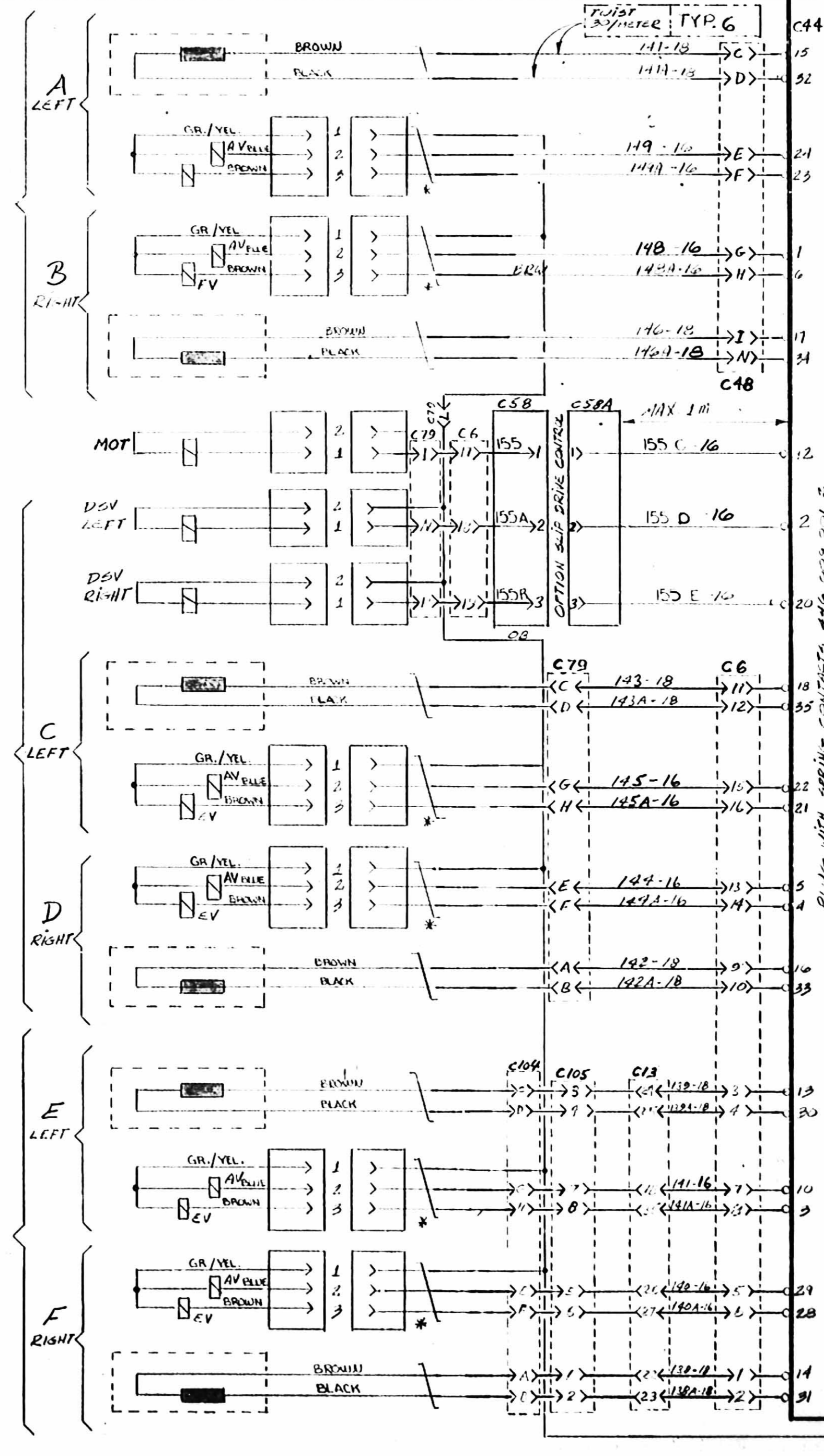


12V CENTRAL	0-18
24V CENTRAL	24-35A-16
12V ENGINE	24-14A-18
24V ENGINE	CE-2 B.B.I.E.
12V FRONT	12-32C-14
24V FRONT	CE-1 B.B.I.F.R.
12V NOT WIRE FRONT	24-147W-18
24V NOT WIRE FRONT	24-176-16
0-18	24-126D-16
24-35A-16	24-33A-16
24-14A-18	24-7-16
CE-2 B.B.I.E.	24-22-18
12-32C-14	24-12J-16
CE-1 B.B.I.F.R.	
24-147W-18	
24-176-16	
24-126D-16	
24-33A-16	
24-7-16	
24-22-18	
24-12J-16	

FRONT AXLE

DRIVE AXLE

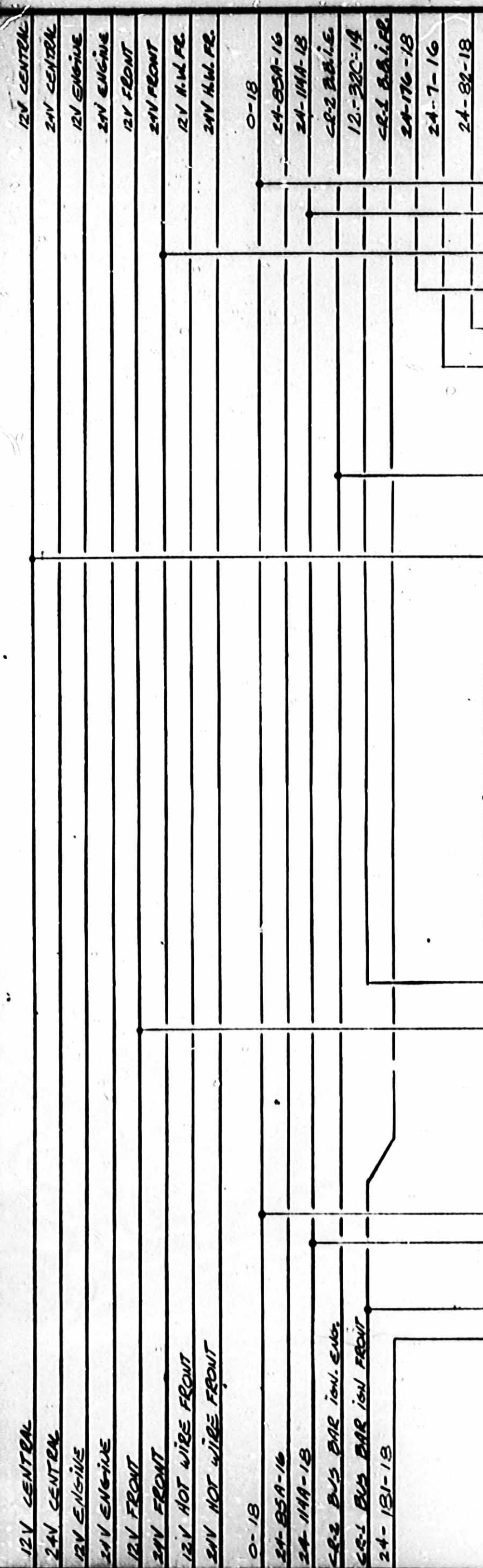
REAR AXLE



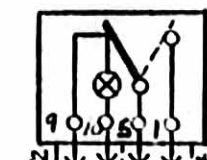
446 005 001 0 (OPTION D5C) IDENTICAL FUNCTION WITH 446 003 001 0 IF DRIVE SLIP CONTROL - PINS ARE NOT USED
 446 005 002 0 (WITHOUT DRIVE SLIP CONTROL)
 PLUG WITH SPRING CONTACTS #46 009 001 2

ANTI-SKID

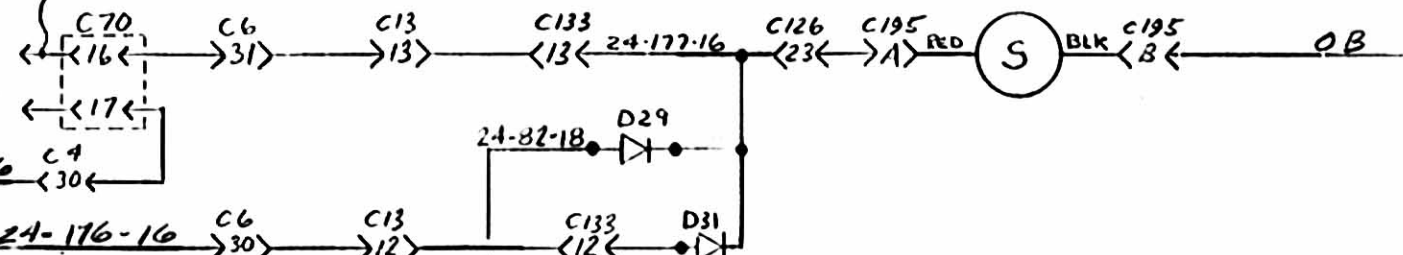
DESC: WIRING DIAGRAM			DESS: D.V.	DATE: 88-02
C 83-10	CD# 15359	MR	VER: Kc	APPR: [Signature]
B 89-06	24-6C-16 ENLEVE	M		
A 88-03	ETAIT 1008	BC		
TEM DATE	REVISION	PAR	APPL: EFF. W/1009	REF: H5-60
				NO: D-060660 20/1 C



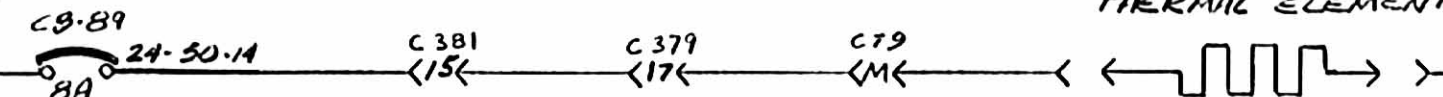
ARTICULATION BRAKE SW#57



120 PSI SOLENOID



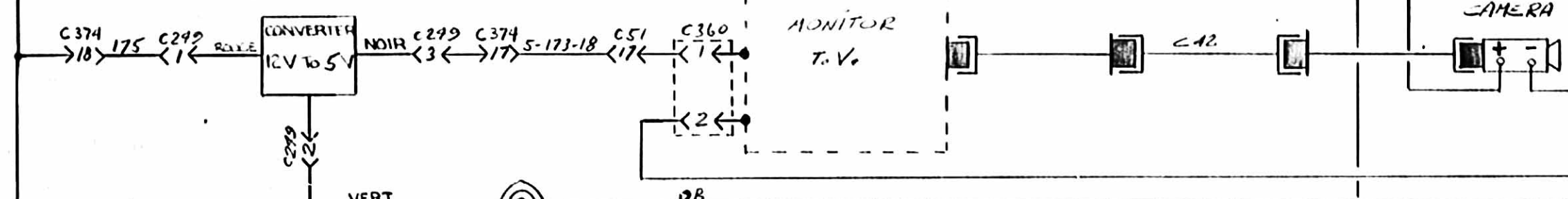
AIR DRYER THERMAL ELEMENT



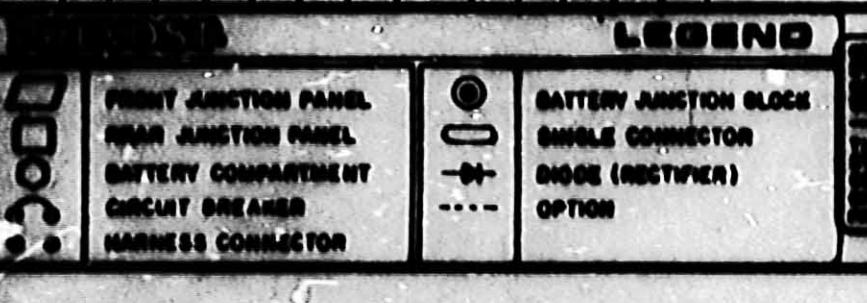
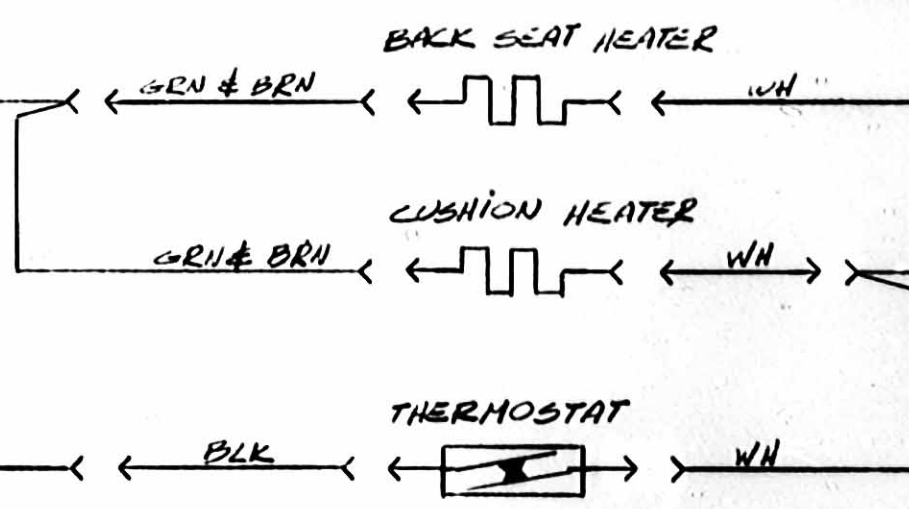
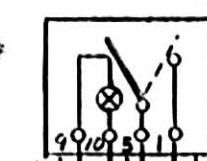
CAMERA HEATER 52 WATTS



MONITOR T.V.



SEAT HEATER SW#53



ITEM	DATE	REVISION	PAR
C	89-02	O.C.#89033, C.D.#16158	Rob.
B	88-06	MISE A JOUR	M.J.
A	88-03	ETAIT /J008	B.C.

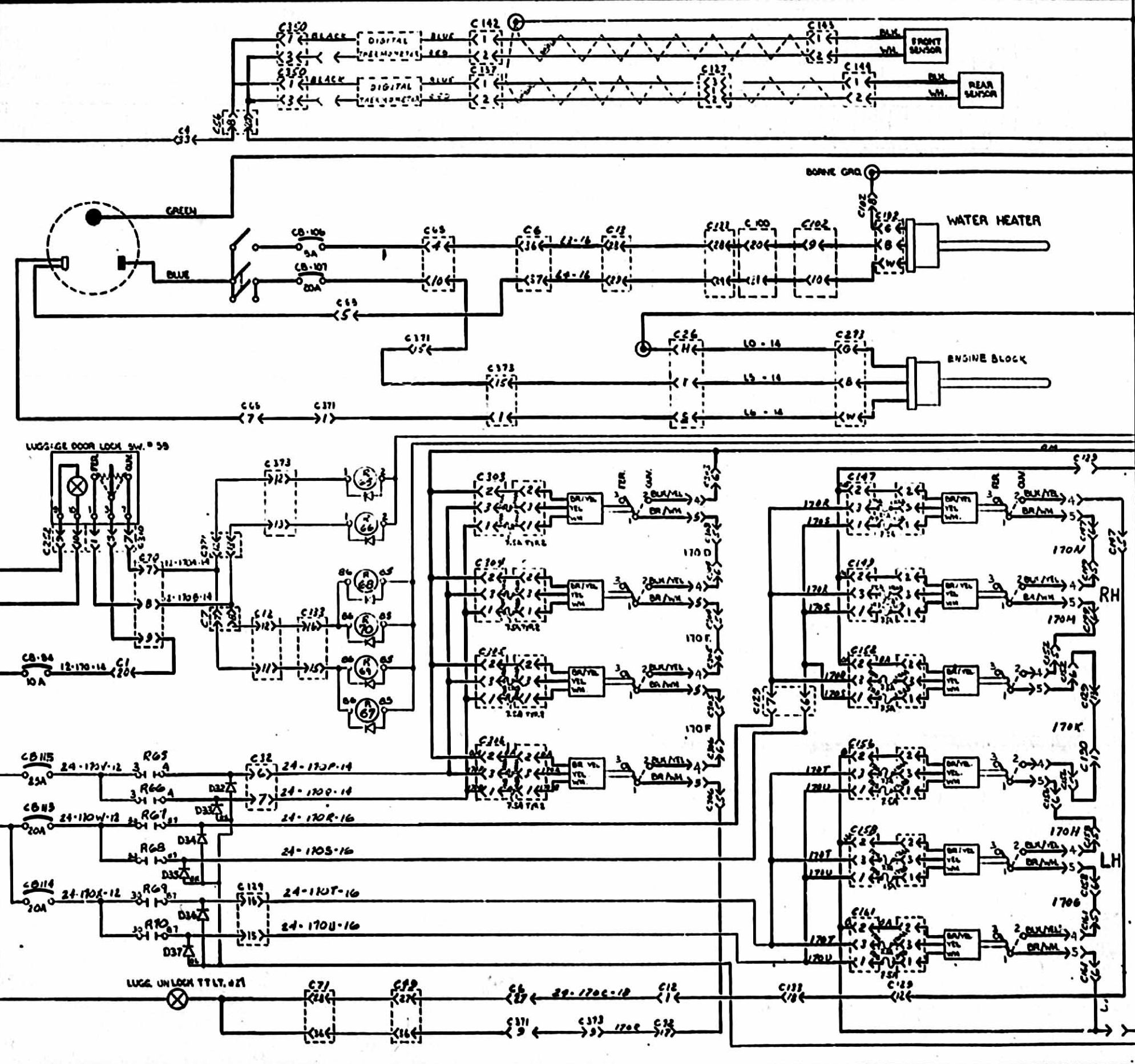
DESC : WIRING DIAGRAM
 APPL: EFF. W/J009
 REF: H5-60

DESS: D.V.
 VER: -
 DATE: 88-02
 APPR: [Signature]
 NO: D-060660 22/24 C

ARTICULATION BRAKE
 AIR DRYER
 BACK UP MONITOR
 DRIVER'S SEAT HEATER



12V CENTRAL	24V CENTRAL
12V ENGINE	24V ENGINE
12V FRONT	24V FRONT
12V HOT WIRE FRONT	24V HOT WIRE FRONT
0-18	
24-82A-16	
24-114A-18	
CR-2 BBI.E	
CR-1 BBI.FR	
24-181-18	
12V CENTRAL	24V CENTRAL
12V ENGINE	24V ENGINE
12V FRONT	24V FRONT
12V HOT WIRE FRONT	24V HOT WIRE FRONT
0-18	
24-82A-16	
24-114A-18	
CR-2 BBI.E	
CR-1 BBI.FR	
24-181-18	



DIGITAL THERMOMETER

WATER TANK HEATER

ENGINE BLOCK

LUGGAGE DOOR LOCK

	FRONT JUNCTION PANEL
	REAR JUNCTION PANEL
	BATTERY COMPARTMENT CIRCUIT BREAKER
	HARNESS CONNECTOR
	BATTERY JUNCTION BLOCK
	SINGLE CONNECTOR
	BLOCK (RECTIFIER)
	OPTION

LEGEND

FRONT JUNCTION PANEL
REAR JUNCTION PANEL
BATTERY COMPARTMENT CIRCUIT BREAKER
HARNESS CONNECTOR

BATTERY JUNCTION BLOCK
SINGLE CONNECTOR
BLOCK (RECTIFIER)
OPTION

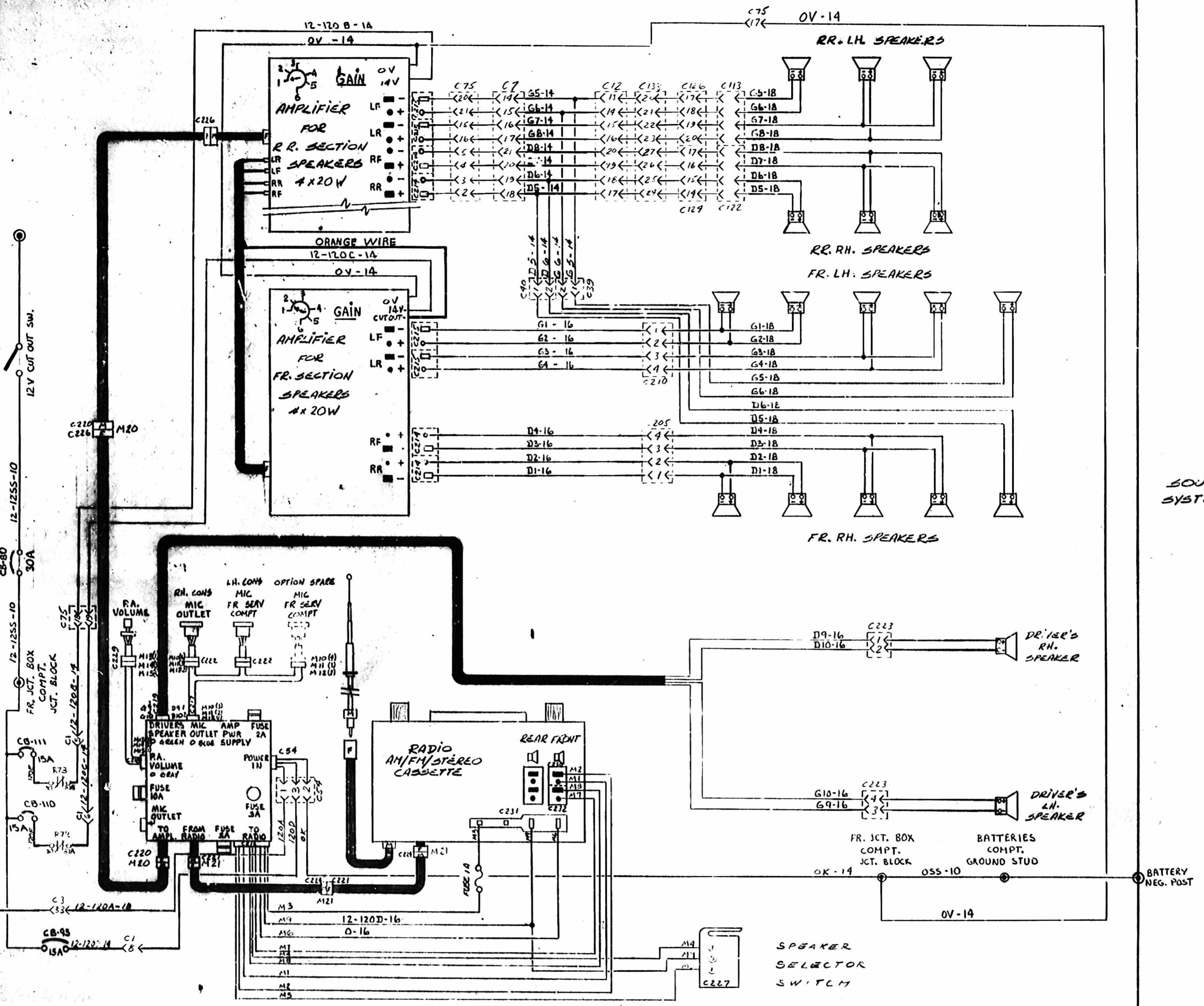
E	91-01	MISC A 30UR	MJ
D	89-01	D32 D37 ADAPTERS OC 1992	MZ
C	88-07	D.C. 88120 CD 14680	BC
B	88-03	CD # 13579	AB
A	88-03	ETAIT 3008 . JENENT 3008	BF
ITEM	DATE	REVISION	PAR

DESC : WIRING DIAGRAM

APPL: EFF. W/J020 A Δ PRIOR L033 REF: H5-60

DESS: D.T.	DATE: 88-02
VER: Kc	APPR: [Signature]
NO: D-060660	23/24 C

- 12V CENTRAL
- 24V CENTRAL
- 12V ENGINE
- 24V ENGINE
- 12V FRONT
- 24V FRONT
- 12V WIRE FRONT
- 24V WIRE FRONT
- 12V WIRE FRONT
- 24V WIRE FRONT
- 12V WIRE FRONT
- 24V WIRE FRONT



SOUND SYSTEM

<p>LEADS</p> <p>FRONT CONTROL PANEL</p> <p>MAX CONTROL PANEL</p> <p>BATTERY COMPARTMENT</p> <p>IGNITION SWITCH</p> <p>IGNITION SWITCH</p> <p>IGNITION SWITCH</p>		<p>D 88/08 CD # 14933</p> <p>C 88/08 CD # 14762</p> <p>B 88/03 C.D. # 13753</p> <p>A 88/03 RT2 & RT3 NOTES</p>	<p>ME</p> <p>BC</p> <p>BC</p> <p>M</p>	<p>DESC :</p> <p style="font-size: 24px; font-weight: bold;">WIRING DIAGRAM</p> <p>APPL: EFF. W/3009</p> <p>REF: HS-60</p>	<p>DESS: D.V</p> <p>VER.-</p> <p>NG: D-060660</p>	<p>DATE- 88.02</p> <p>APPR.-</p> <p>24/24 C</p>
<p>FRONT CONTROL PANEL</p> <p>MAX CONTROL PANEL</p> <p>BATTERY COMPARTMENT</p> <p>IGNITION SWITCH</p> <p>IGNITION SWITCH</p> <p>IGNITION SWITCH</p>	<p>BATTERY JUNCTION</p> <p>IGNITION SWITCH</p> <p>IGNITION SWITCH</p> <p>IGNITION SWITCH</p>	<p>ITEM</p> <p>DATE</p> <p>REVISION</p>	<p>PAR</p>	<p>APPL: EFF. W/3009</p> <p>REF: HS-60</p>	<p>DESS: D.V</p> <p>VER.-</p> <p>NG: D-060660</p>	<p>DATE- 88.02</p> <p>APPR.-</p> <p>24/24 C</p>